



 **FLUIDOTEHNIC**

DEVICES AND SYSTEMS FOR CENTRAL LUBRICATION

CATALOG OF DEVICES

 www.fluidotehnic.com



LUBRICATION TECHNIQUE

CATALOG OF DEVICES

ABOUT COMPANY	4-5
PUMPS FOR OIL LUBRICATION	6-7
FILTERS (FOR OIL LUBRICATION)	8-9
FLOW INDICATORS	10-11
ELECTRIC MOTOR MULTILINE PUMPS	12-19
ELECTRIC MOTOR PUMPS	20-22
ELECTRIC MOTOR PUMP FOR CENTRAL SUPPLEMENT	23
ELECTRIC MOTOR PUMP FOR GREASE TRANSFER	24-25
PNEUMATIC PUMP FOR LUBRICATION	26
PNEUMATIC PUMP FOR OIL DRAFT	27
DUAL LINE HAND PUMP	28
HAND PUMP (FOR LUBRICANT TRANSFER)	29
FOOT PUMP (FOR GREASE LUBRICATION)	30
POWER UNIT FOR MULTILINE LUBRICATION	31-33
UNIT FOR DUAL LINE LUBRICATION	34-37
ELECTRIC COMPACT UNIT (FOR SINGLE GREASE LUBRICATION)	38
PNEUMATIC PUMP FOR SINGLE LUBRICATION	39
PNEUMATIC UNIT FOR SINGLE LUBRICATION ON CART	40
ELECTRIC CONTROL UNIT	41
DOSING DISTRIBUTORS	42-45
CHANGE-OVER VALVES	46-52
CONTROL DEVICES	53-55
PRESSURE RELIEF VALVE	56
PRESSURE LINE FILTER (FOR GREASE LUBRICATION SYSTEMS)	57
GUN FOR LUBRICATION	58





- FLUIDOTEHNIC's production program is based on its own development. Thanks to that, all the products are the result of the engineering staff work, as well as the quality and skilled workers in manufacturing and installation. Each serial product during the conquest passes through the phase of prototype development, functional tests and check in real operating conditions. Following step is removal of all possible defects and then, based on that, test series is produced. This is how we achieve high quality of manufactured devices. In case of the individual production, after the functional testing, we deliver the product to the customer.
- Since its foundation FLUIDOTEHNIC Ltd. has been continuously investing both in the expansion of commercial building and the purchase of modern equipment for the production, control and techno-economic support. It is located in the industrial zone of Vrnjacka Banja, on a lot size ~ 2ha. It consists several buildings, connected into a functional whole area of 4000 m². The whole complex is adjusted to the environment- we are taking good care of health, work safety and environmental protection.



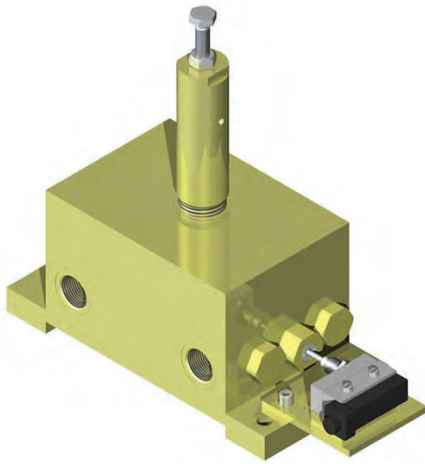


- Market research, device development, technical assistance and personnel training free of charge for all our customers is the main task of this service. Many years of experience in the development tasks of hydraulics, pneumatics and lubrication techniques, as well as the latest computer technology guarantee that our customers will get the optimum technical solution. During the development, every device passes precisely defined procedure, starting from making the design concept, followed by manufacturing and testing prototypes and going into production.
- It consists of several facilities and departments: foundry of non-ferrous metals, mechanical drive, locksmith department, installation and technical control. All operations from the casting to the final machining are performed with the universal and software machines. Control and assembly is 100%. When the assembly is finished, each device is being tested on the test stand and on the basis of the results it gets the appropriate certificates and guarantees. On each call of the user, service teams come in as soon as possible, with spare parts and the necessary tools, regardless of whether the equipment is in warranty or out of warranty period.



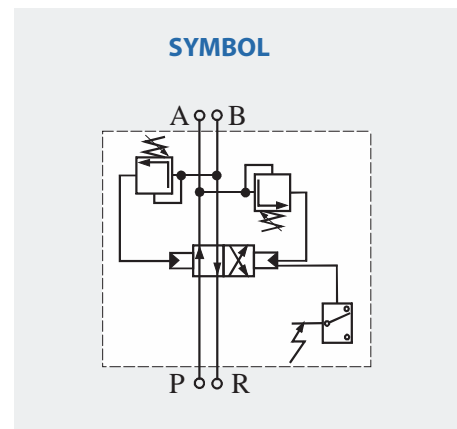
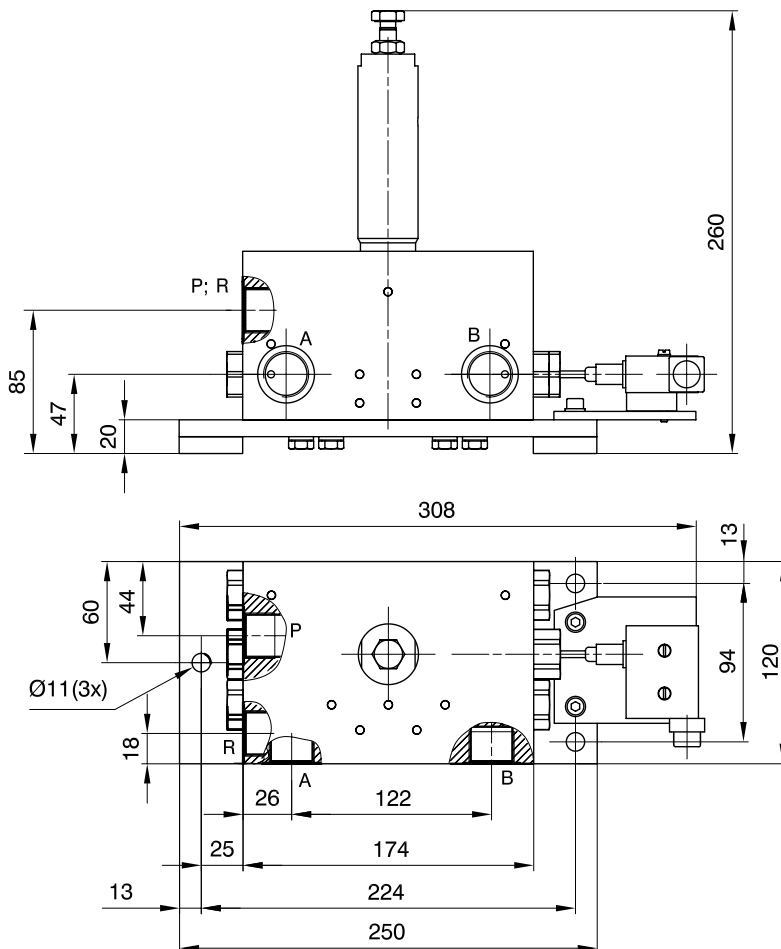
HYDRAULIC CHANGE-OVER VALVE

10-0650



The change-over valve is a control device applied in two-line centralized lubrication systems. When the pressure in distributing line increases to the adjusting value (50 - 350bar), lubrication - cycle is completed. This is indicated by micro switch of electric indicator. The valve spool moves to another position connecting the second line to the pump. Starting the pump begins the lubrication cycle in second line. This simplifies the control of whole lubrication system. To adjust the switching pressure turn the screw CH 17 which is located on the regulator body.

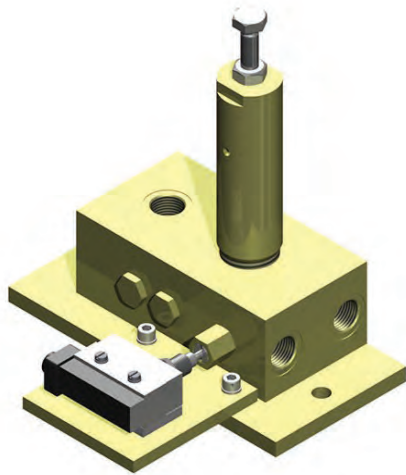
Robust design, big discharge cross section (NG 10), high precisely fitted spools and easy control, make this device suitable for long time operation in very hard working conditions in small and middle size lubrication systems (excavators, iron plants, cement works, mines).



Ordering code	10 - 0650	
Fluid	Oil viscosity	>13 mm ² /s
	Grease	NLGI ≤3
	Temperature	-30 ; +80 °C
Working pressure	50 - 350 bar	
Flow	max. 40 dm ³ /h	
Connecting ports	G 3/4"	
Electric indicator	max. 220 V 5 A	
Mass	18,5 kg	

HYDRAULIC CHANGE-OVER VALVE

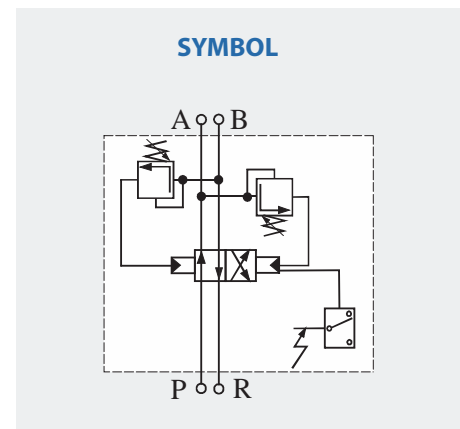
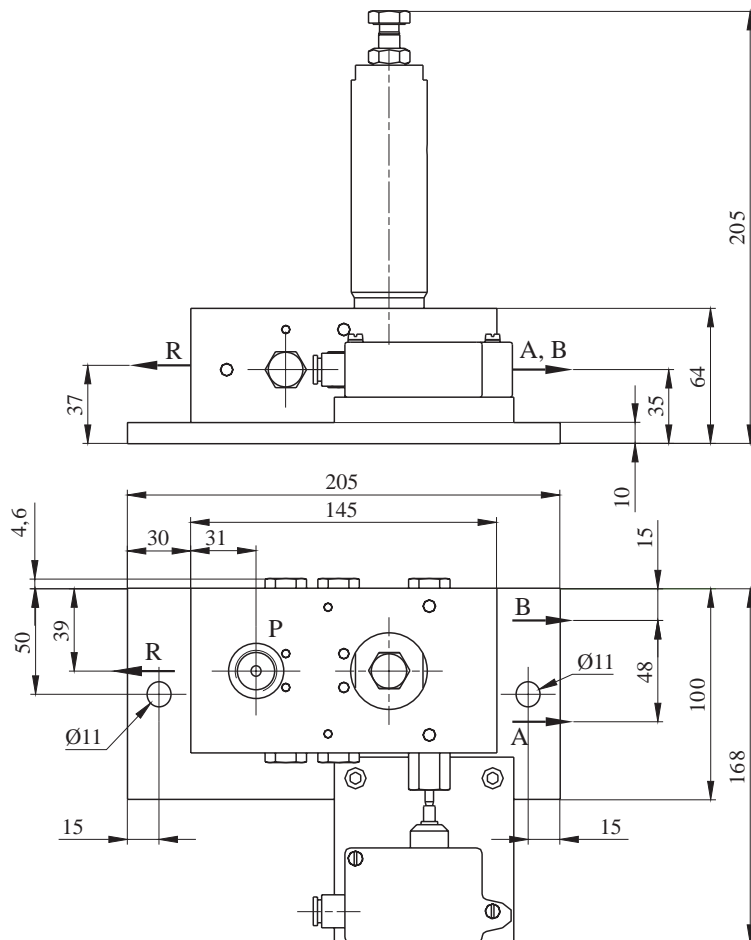
10-0625



The change over hydraulic valve is a control device applied in two-line centralized lubrication systems. When the pressure in distributing line increases to the adjusting value (50 - 350bar), lubrication cycle is completed. This is indicated by micro switch of electric indicator. The valve spool moves to another position connecting the second line to the pump. Starting the pump begins the lubrication cycle in second line. This simplifies the control of whole lubrication system. To adjust the switching pressure turn the screw CH 17 which is located on the regulator body.

Robust design, high precisely fitted spools and easy control, make this device suitable for long time operation in very hard working conditions

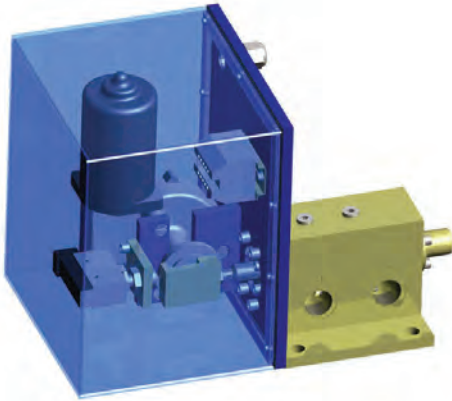
in small and middle size lubrication systems (excavators, iron plants, cement works, mines).



Ordering code	10 - 0625	
Fluid	Oil viscosity	>13 mm ² /s
	Grease	NLGI ≤3
	Temperature	-30 ; +80 °C
Working pressure	50 - 350 bar	
Flow	max. 14 dm ³ /h	
Connecting ports	G 1/2"	
Electric indicator	max. 220 V 5 A	
Mass	7,2 kg	

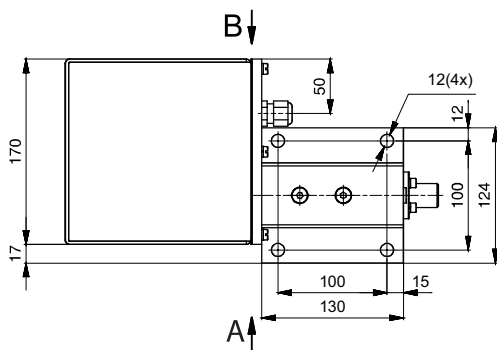
DUAL LINE ELECTRIC DRIVEN CHANGE-OVER VALVE

24V DC/230V AC

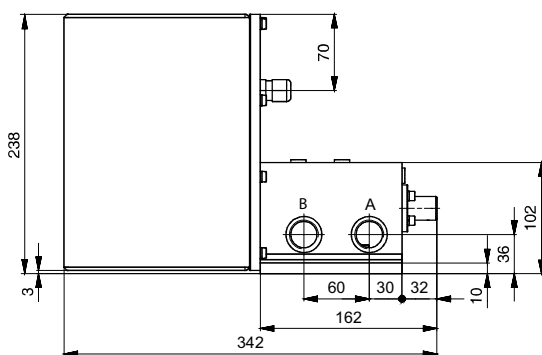


The two-line electric driven change-over valve is applied for grease lubrication systems. After the lubrication cycle of one line, pressure switches sends a signal to control unit for turn off the pump and start the change-over valve motor. Then lubrication cycle transmits to second line. After the pause, the cycles continues by the same principle. Robust design and reliable operation make this device suitable for long time operation in very hard working conditions: in iron plants, mines, excavators. Electric motor voltage is 24V DC or 230V AC. When ordering, it should be noted supply voltage.

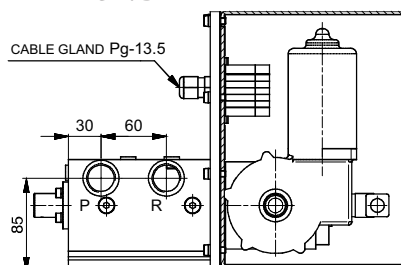
Example: 10-2725-230V AC



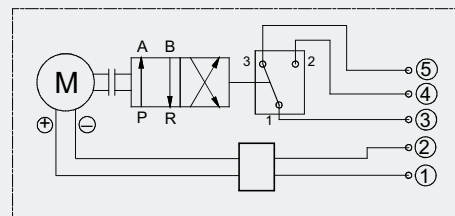
View: A



View: B

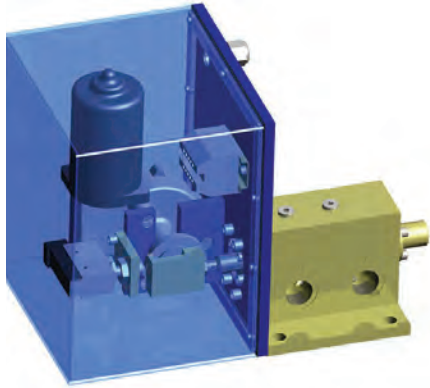


SYMBOL



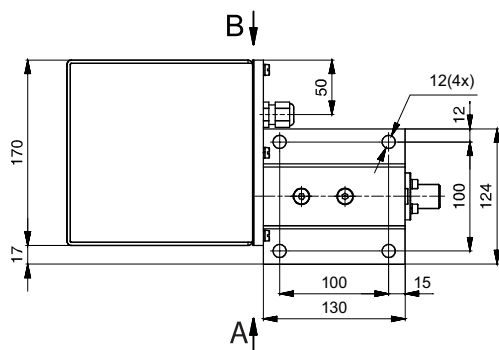
Ordering code	10-2725	
Fluid	Oil viscosity	>13 mm ² /s
	Grease	NLGI ≤3
	Temperature	-30 to +80°C
Working pressure max.	400 bar	
Lubricant flow max.	65 dm ³ /h	
Switching time	1 s	
Connecting ports	G 3/4"	
Electric indicator	250V 5A	
Electric motor	Voltage	24V DC/230V 50Hz
	Current	1,1A/0,25A
	Rated speed	30 rpm
Mass	15,5 kg	

DUAL LINE ELECTROMOTIVE TAP 24V DC/230V AC

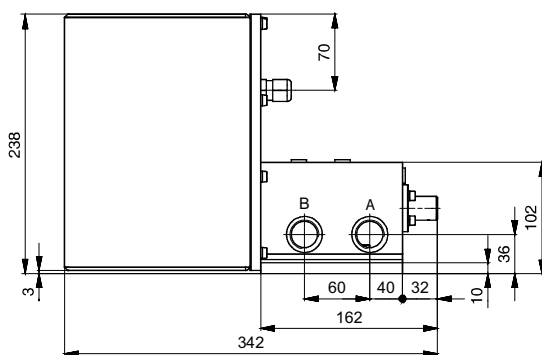


Two-line electromotive tap is applied in complex systems for central grease lubrication. If we have a two-line complex system, where it is necessary that certain groups of lubrication points have different lubrication time intervals or should be lubricated only places that were in operation, it is necessary to install these taps. In this way, if necessary, up includes or includes lubrication in the particular branches of installation. Robust design and reliable operation make this device suitable for long time operation in very hard working conditions in iron plants, mines, excavators. Electric motor voltage is 24V DC or 230V AC.

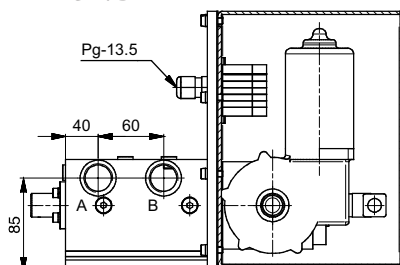
When ordering, it should be noted supply voltage.



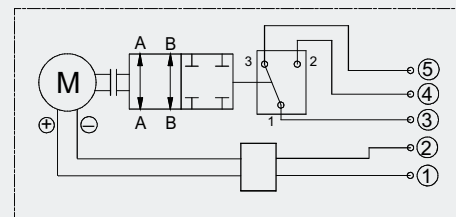
View: A



View: B

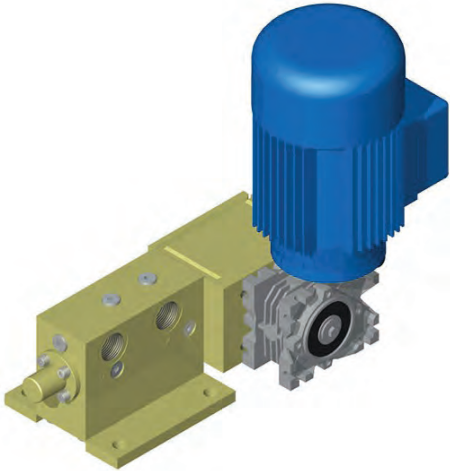


SYMBOL

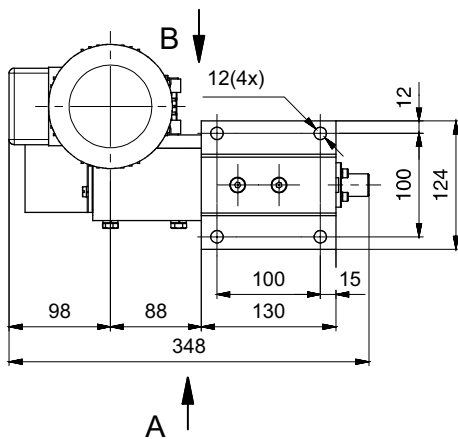
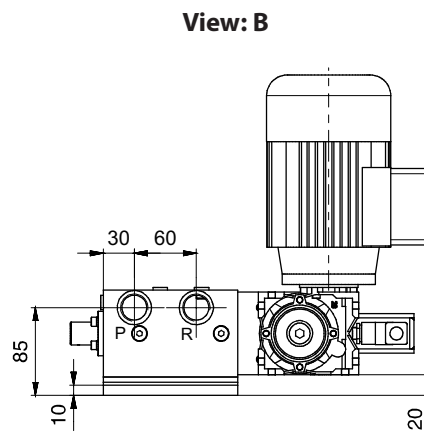
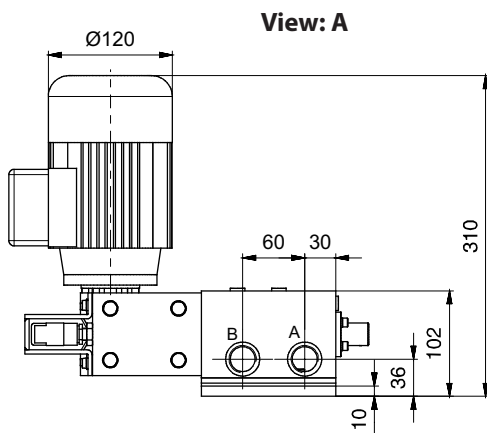


Ordering code	10-2740	
Fluid	Oil viscosity	>13 mm ² /s
	Grease	NLGI ≤3
	Temperature	-30 to +80°C
Working pressure max.	400 bar	
Lubricant flow max.	65 dm ³ /h	
Switching time	1 s	
Connecting ports	G 3/4"	
Electric indicator	250V 5A	
Electric motor	Voltage	24V DC/230V 50Hz
	Current	1,1A/0,25A
	Rated speed	30 rpm
Mass	15,5 kg	

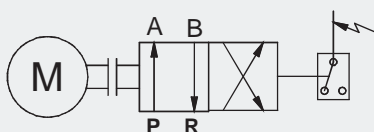
DUAL LINE ELECTRIC DRIVEN CHANGE-OVER VALVE



The two-line electric driven change-over valve is applied for grease lubrication systems. After the lubrication cycle of one line, pressure switches sends a signal to control unit to turn off the pump and start the change-over valve motor that transmits lubrication cycle to second line. After the pause, the cycles continues by the same principle. Robust design and reliable operation make this device suitable for long time operation in very hard working conditions: in iron plants, mines, excavators. Electric motor voltage is 3x400V 50Hz.

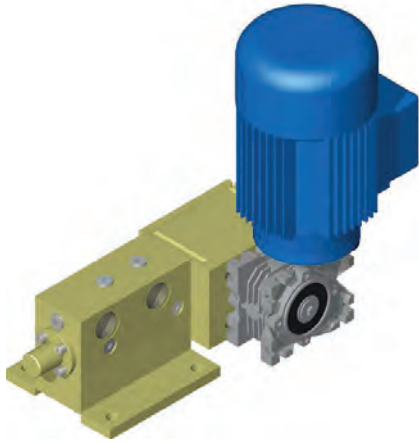


SYMBOL



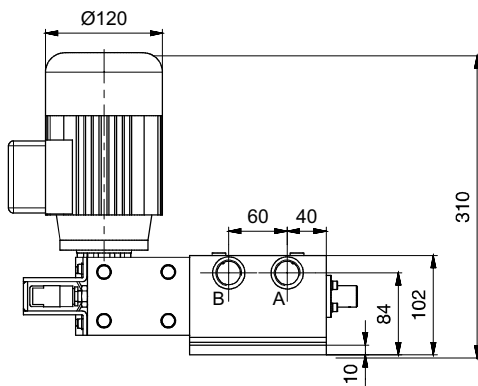
Ordering code	10-2750	
Fluid	Oil viscosity	>13 mm ² /s
	Grease	NLGI ≤3
	Temperature	-30 to +80°C
Working pressure max.	400 bar	
Lubricant flow max.	65 dm ³ /h	
Switching time	2,0 s	
Connecting ports	G 3/4"	
Electric indicator	250V 5A	
Electric motor	Voltage	3x400V 50Hz
	Current	0,09 kW
	Rated speed	1420 rpm
Gear box ratio	100:1	
Mass	12,9 kg	

DUAL LINE ELECTROMOTIVE TAP

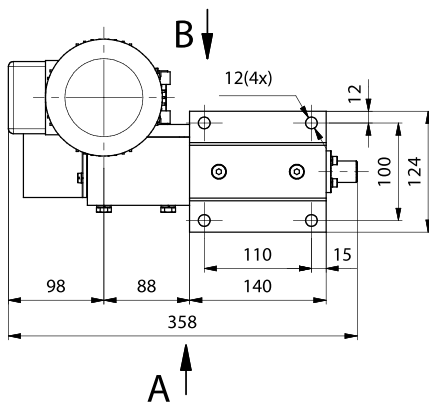
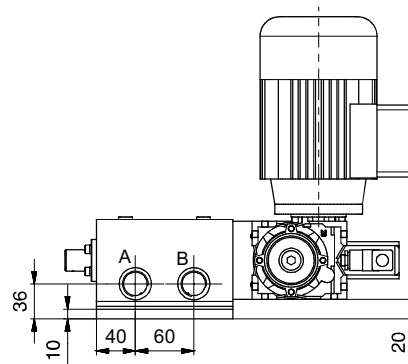


Two-line electromotive tap is applied in complex systems for central grease lubrication. If we have a two-line complex system, where it is necessary that certain groups of lubrication points have different lubrication time intervals or should be lubricated only places that were in operation, it is necessary to install these taps. In this way, if necessary, up includes or includes lubrication in the particular branches of installation. Robust design and reliable operation make this device suitable for long time operation in very hard working conditions: in iron plants, mines, excavators.

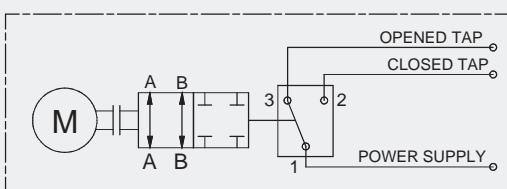
View: A



View: B



SYMBOL



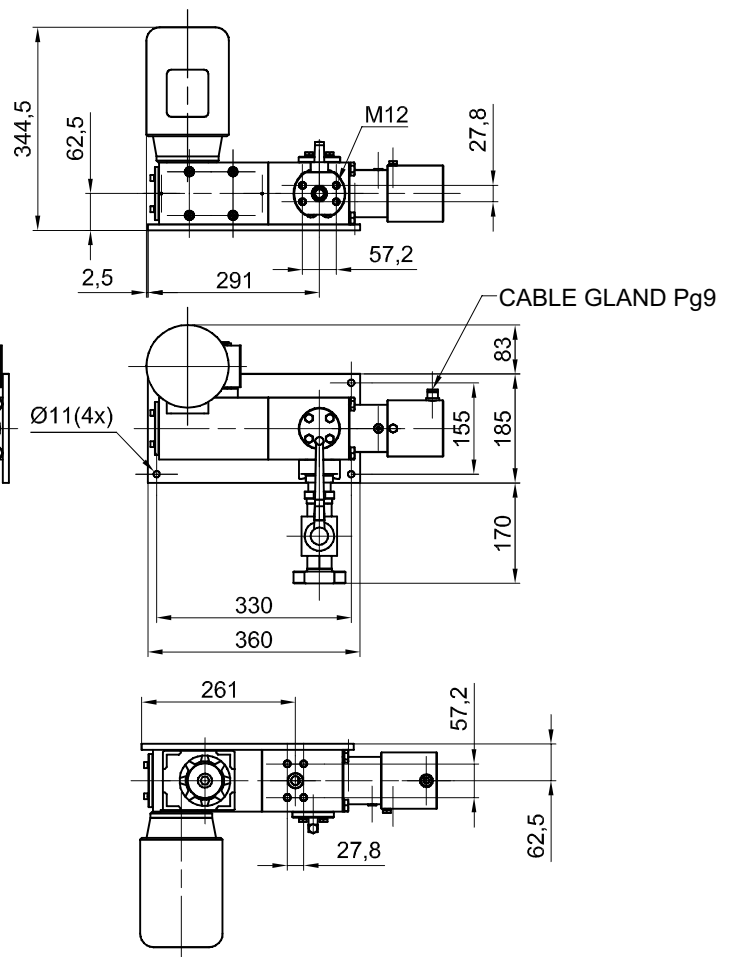
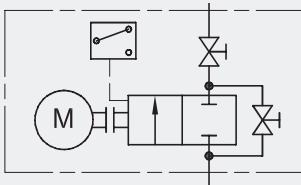
Ordering code	10-2780	
Fluid	Oil viscosity	>13 mm ² /s
	Grease	NLGI ≤3
	Temperature	-30 to +80°C
Working pressure max.	400 bar	
Lubricant flow max.	65 dm ³ /h	
Switching time	2,0 s	
Connecting ports	G 3/4"	
Electric indicator	250V 5A	
Electric motor	Voltage	3x400V 50Hz
	Current	0,09 kW
	Rated speed	1420 rpm
Gear box ratio	100:1	
Mass	13,3 kg	

ELECTROMOTIVE TAP



Electromotive tap is used to central refill (supplement) system of grease pumps. When a level of grease in the certain lubricating pump is lowered to a minimum, electric control unit gives command to open the tap and includes a central pump for refill. When a level of grease come to maximum, the tap closes and pump for refill switches off. In this way it provided safe grease transportation to the pumps for lubrication and prevented the possibility of grease contamination with dirt. This is particularly useful in places with hard working conditions and dirty environments, such as mills, coke plants, foundries, cement plants... Due to robust construction, very precise built-in pistons and easy operation of the whole system, this device is very suitable for use in all systems of central grease refill (supplement).

SYMBOL



Ordering code	543-6500	
Electric motor	Voltage	3x400V 50Hz
	Power	0,09 kW
	Rated speed	670 rpm
Gear box ratio	100:1	
Switching time	4,3 s	
Microswitch	Voltage	250 V AC
	Max. current	10A
Nominal size	NO 25	
Grease NLGI	≤3	
Fluid operating pressure	max. 400 bar	
Max flow	6 dm ³ /min	
Ambient temperature	-30; +80 °C	
Mass	46 kg	



SERBIA
36210 VRNJACKA BANJA
Rudjinci 175/A
tel/fax: +381-36-631-710
E-mail: office@fluidotehnic.com
Web: www.fluidotehnic.com

Matični broj: 06568939
Šifra delatnosti: 2822
PIB: 100918689
Reg. broj: 11506568939
Br. Reg. Upisa: 1-14429-00



EC DECLARATION OF CONFORMITY / DECLARATION ON INSTALLATION

DEKLARACIJA O USAGLAŠENOSTI / DEKLARACIJA O UGRADNJI

We hereby declare that the following products

Izjavljujemo da su sledeći uređaji

Electric driven pumps for grase lubrication (Elektromotorne pumpe za podmazivanje mastima)
Power unit for oil lubrication (Elektromotorni uređaj za podmazivanje uljima)
Pneumatic pumps for lubrication (Pneumatske pumpe za podmazivanje mastima)
Two line dosing distributors (Dvolinijski dozatori)
Progressive doser distributors (Progresivni dozatori)
Change-over valves (Hidraulički razvodnici)
Electric driven change-over valves (Elektromotorni razvodnici)
Pressure and flow valves (Ventili pritiska i protoka)

Are designed and produced in accordance with the safety requirements according to the following regulations:

Projektovani i proizvedeni u skladu sa bezbednosnim zahtevima prema sledećim propisima:

Machinery Directive EC/2006/42
(Mašinska direktiva EC/2006/42)

Low voltage directive EC/2014/35
(Niskonaponska direktiva EC/2014/35)

in accordance with the following standards:

i u skladu sa sledećim standardima:

Safety of machinery - General principles for design

- **Risk assessment and risk reduction EN ISO 12100:2010**

Bezbednost mašina - Opšti principi za projektovanje

- Ocena rizika i smanjenje rizika SRPS ISO 12100:2014

Safety of machinery - Electrical equipment of machines - Part 1: EN 60204-1:2016

Bezbednost mašina - Električna oprema mašina - Deo 1: EN 60204-1:2016

Declaration on installation in the sense of EC Machinery Directive (2006/42/EC) Annex II B

Izjava o ugradnji u skladu sa EC Mašinskom direktivom (2006/42/EC) Anex II B

Product of "FLUIDOTEHNIC" assemble into mechanical devices and equipment. Start-up is not admissible unless it has been verified that the whole equipment, meets the requirements defined in the EC machinery Directive (2006/42/EC)

Proizvod "FLUIDOTEHNIC"-a se ugrađuje u drugu opremu i dodatne uređaje. Pokretanje nije dozvoljeno sve dok i relevantna oprema u koju se ugrađuju ne bude u skladu sa Mašinskom direktivom (2006/42/EC)

The manufacturer undertakes to supply the relevant information of incomplete machine on request to responsible inspector by electronic way. Technical documents of the machine is prepared in accordance with Annex VII, part B Machinery Directive (2006/42/EC)

Proizvođač se obavezuje da će elektronskim putem dostaviti odgovarajuće podatke o delimično završenoj mašini nadležnom inspektor u njegov zahtev. Tehnička dokumentacija je izrađena u skladu sa Anexom 7, deo B Mašinske direktive.

Vrnjačka Banja, 01/02/2017 godine



Šljivić Miroslav, General Manager

The EC Declaration of Conformity is only valid in conjunction with confirmation that the device has been correctly applied, installed, inspected and maintained according to the operating instructions provided. The validity of the declaration will cease in case of any modification and/or supplement not previously approved by "FLUIDOTEHNIC".

Ova deklaracija o usaglašenosti važi samo u slučaju da je uređaj pravilno ugrađen, iskontrolisan i da se koristi i održava u skladu sa uputstvom za rukovanje i održavanje. Važenje izjave prestaje u slučaju bilo kakve modifikacije ili dodatka koji nisu prethodno odobreni od "FLUIDOTEHNIC"-a.



Fluidotehnic d.o.o.

Serbia

36210 Vrnjacka Banja

Rudjinci 175/A

Tel: +381-(0)36-631-710

+381-(0)36-631-711

Fax: +381-(0)36-631-712

www.fluidotehnic.com

office@fluidotehnic.com

© Fluidotehnic doo

02/2018