



 **FLUIDOTEHNIC**

# DEVICES AND SYSTEMS FOR CENTRAL LUBRICATION

---

CATALOG OF DEVICES

 [www.fluidotehnic.com](http://www.fluidotehnic.com)



# LUBRICATION TECHNIQUE

## CATALOG OF DEVICES

ABOUT COMPANY	4-5
PUMPS FOR OIL LUBRICATION	6-7
FILTERS (FOR OIL LUBRICATION)	8-9
FLOW INDICATORS	10-11
ELECTRIC MOTOR MULTILINE PUMPS	12-19
ELECTRIC MOTOR PUMPS	20-22
ELECTRIC MOTOR PUMP FOR CENTRAL SUPPLEMENT	23
ELECTRIC MOTOR PUMP FOR GREASE TRANSFER	24-25
PNEUMATIC PUMP FOR LUBRICATION	26
PNEUMATIC PUMP FOR OIL DRAFT	27
DUAL LINE HAND PUMP	28
HAND PUMP (FOR LUBRICANT TRANSFER)	29
FOOT PUMP (FOR GREASE LUBRICATION)	30
POWER UNIT FOR MULTILINE LUBRICATION	31-33
UNIT FOR DUAL LINE LUBRICATION	34-37
ELECTRIC COMPACT UNIT (FOR SINGLE GREASE LUBRICATION)	38
PNEUMATIC PUMP FOR SINGLE LUBRICATION	39
PNEUMATIC UNIT FOR SINGLE LUBRICATION ON CART	40
ELECTRIC CONTROL UNIT	41
DOSING DISTRIBUTORS	42-45
CHANGE-OVER VALVES	46-52
CONTROL DEVICES	53-55
PRESSURE RELIEF VALVE	56
PRESSURE LINE FILTER (FOR GREASE LUBRICATION SYSTEMS)	57
GUN FOR LUBRICATION	58





- FLUIDOTEHNIC's production program is based on its own development. Thanks to that, all the products are the result of the engineering staff work, as well as the quality and skilled workers in manufacturing and installation. Each serial product during the conquest passes through the phase of prototype development, functional tests and check in real operating conditions. Following step is removal of all possible defects and then, based on that, test series is produced. This is how we achieve high quality of manufactured devices. In case of the individual production, after the functional testing, we deliver the product to the customer.
- Since its foundation FLUIDOTEHNIC Ltd. has been continuously investing both in the expansion of commercial building and the purchase of modern equipment for the production, control and techno-economic support. It is located in the industrial zone of Vrnjacka Banja, on a lot size ~ 2ha. It consists several buildings, connected into a functional whole area of 4000 m<sup>2</sup>. The whole complex is adjusted to the environment- we are taking good care of health, work safety and environmental protection.





- Market research, device development, technical assistance and personnel training free of charge for all our customers is the main task of this service. Many years of experience in the development tasks of hydraulics, pneumatics and lubrication techniques, as well as the latest computer technology guarantee that our customers will get the optimum technical solution. During the development, every device passes precisely defined procedure, starting from making the design concept, followed by manufacturing and testing prototypes and going into production.
- It consists of several facilities and departments: foundry of non-ferrous metals, mechanical drive, locksmith department, installation and technical control. All operations from the casting to the final machining are performed with the universal and software machines. Control and assembly is 100%. When the assembly is finished, each device is being tested on the test stand and on the basis of the results it gets the appropriate certificates and guarantees. On each call of the user, service teams come in as soon as possible, with spare parts and the necessary tools, regardless of whether the equipment is in warranty or out of warranty period.

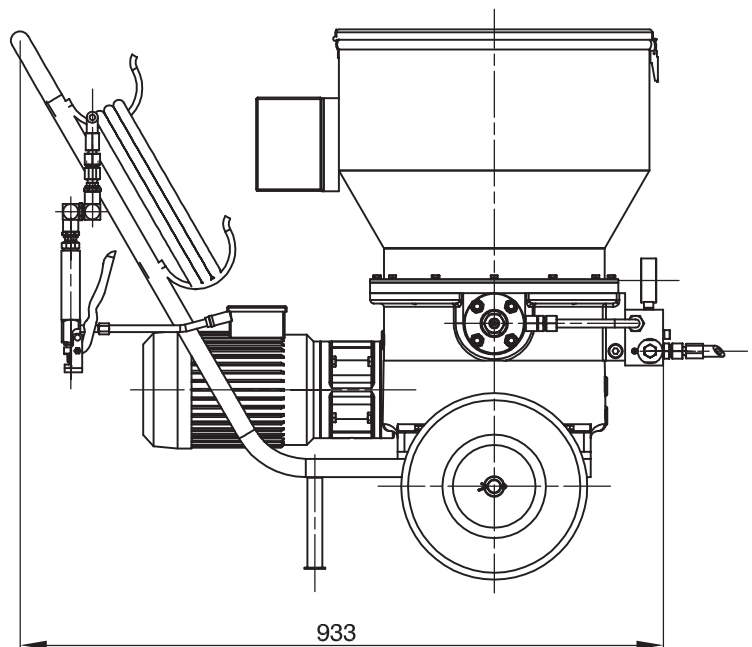
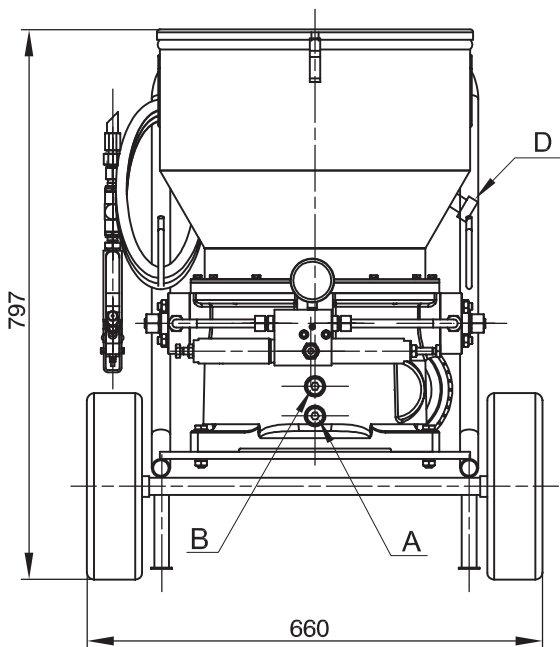


## ELECTRIC COMPACT UNIT (FOR SINGLE GREASE LUBRICATION)



This device is generally used in repair shops. It is suitable for operation in very hard working conditions (excavators for surface exploitation, iron plants, cement works). The tank is filled through the port "D" using the charging pump (with cone 24° DIN3901/3902 M26x1,5). This is recommended to avoid particles and air in lubricant. The piston pump is available in three variants regarding flow and working pressure. It is equipped with pressure gauge and pressure relief valve to prevent the overload. For lubrication of gear unit of the pump use hypoid oil. The oil level must be equal to down edge of filling port "A". For discharging use the port "B". This compact unit automatically maintains the set lubricant pressure. The electric motor is started

and switching off automatically by electric signal from pressure switch. The device is equipped with hose (5m long) and lubrication gun with head for lubrication JUS M.C4.613. The length of the electric supply cable is 10m. The device is wheeled and easily movable.



Ordering code	Flow cm <sup>3</sup> /min	Max. pressure bar	Fluid			Electric motor			Tank volume dm <sup>3</sup>	Mass kg
			Grease NLGI	Oil visc. mm <sup>2</sup> /s	Temp. °C	Power kW	Rated speed rpm	Voltage V		
	10 - 2300	500	130							
10 - 2300/1	300	200	≤3	>32	-20 ; +60	1,1	1410	3x400/50Hz	50	97
10 - 2300/2	150	300								



SERBIA  
36210 VRNJACKA BANJA  
Rudjinci 175/A  
tel/fax: +381-36-631-710  
E-mail: office@fluidotehnic.com  
Web: www.fluidotehnic.com

Matični broj: 06568939  
Šifra delatnosti: 2822  
PIB: 100918689  
Reg. broj: 11506568939  
Br. Reg. Upisa: 1-14429-00



## EC DECLARATION OF CONFORMITY / DECLARATION ON INSTALLATION

DEKLARACIJA O USAGLAŠENOSTI / DEKLARACIJA O UGRADNJI

### We hereby declare that the following products

Izjavljujemo da su sledeći uređaji

**Electric driven pumps for grase lubrication** (Elektromotorne pumpe za podmazivanje mastima)

**Power unit for oil lubrication** (Elektromotorni uređaj za podmazivanje uljima)

**Pneumatic pumps for lubrication** (Pneumatske pumpe za podmazivanje mastima)

**Two line dosing distributors** (Dvolinijski dozatori)

**Progressive doser distributors** (Progresivni dozatori)

**Change-over valves** (Hidraulički razvodnici)

**Electric driven change-over valves** (Elektromotorni razvodnici)

**Pressure and flow valves** (Ventili pritiska i protoka)

### Are designed and produced in accordance with the safety requirements according to the following regulations:

Projektovani i proizvedeni u skladu sa bezbednosnim zahtevima prema sledećim propisima:

**Machinery Directive EC/2006/42**  
(Mašinska direktiva EC/2006/42)

**Low voltage directive EC/2014/35**  
(Niskonaponska direktiva EC/2014/35)

**in accordance with the following standards:**

i u skladu sa sledećim standardima:

**Safety of machinery - General principles for design**

- **Risk assessment and risk reduction EN ISO 12100:2010**

Bezbednost mašina - Opšti principi za projektovanje

- Ocena rizika i smanjenje rizika SRPS ISO 12100:2014

**Safety of machinery - Electrical equipment of machines - Part 1: EN 60204-1:2016**

Bezbednost mašina - Električna oprema mašina - Deo 1: EN 60204-1:2016

### Declaration on installation in the sense of EC Machinery Directive (2006/42/EC) Annex II B

Izjava o ugradnji u skladu sa EC Mašinskom direktivom (2006/42/EC) Anex II B

**Product of "FLUIDOTEHNIC" assemble into mechanical devices and equipment. Start-up is not admissible unless it has been verified that the whole equipment, meets the requirements defined in the EC machinery Directive (2006/42/EC)**

Proizvod "FLUIDOTEHNIC"-a se ugrađuje u drugu opremu i dodatne uređaje. Pokretanje nije dozvoljeno sve dok i relevantna oprema u koju se ugrađuju ne bude u skladu sa Mašinskom direktivom (2006/42/EC)

**The manufacturer undertakes to supply the relevant information of incomplete machine on request to responsible inspector by electronic way. Technical documents of the machine is prepared in accordance with Annex VII, part B Machinery Directive (2006/42/EC)**

Proizvođač se obavezuje da će elektronskim putem dostaviti odgovarajuće podatke o delimično završenoj mašini nadležnom inspektor u njegov zahtev. Tehnička dokumentacija je izrađena u skladu sa Anexom 7, deo B Mašinske direktive.

Vrnjačka Banja, 01/02/2017 godine



Šljivić Miroslav, General Manager

The EC Declaration of Conformity is only valid in conjunction with confirmation that the device has been correctly applied, installed, inspected and maintained according to the operating instructions provided. The validity of the declaration will cease in case of any modification and/or supplement not previously approved by "FLUIDOTEHNIC".

Ova deklaracija o usaglašenosti važi samo u slučaju da je uređaj pravilno ugrađen, iskontrolisan i da se koristi i održava u skladu sa uputstvom za rukovanje i održavanje. Važenje izjave prestaje u slučaju bilo kakve modifikacije ili dodatka koji nisu prethodno odobreni od "FLUIDOTEHNIC"-a.



Fluidotehnic d.o.o.

Serbia

36210 Vrnjacka Banja

Rudjinci 175/A

Tel: +381-(0)36-631-710

+381-(0)36-631-711

Fax: +381-(0)36-631-712

[www.fluidotehnic.com](http://www.fluidotehnic.com)

[office@fluidotehnic.com](mailto:office@fluidotehnic.com)

© Fluidotehnic doo

02/2018