



 **FLUIDOTEHNIC**

DEVICES AND SYSTEMS FOR CENTRAL LUBRICATION

CATALOG OF DEVICES

 www.fluidotehnic.com



LUBRICATION TECHNIQUE

CATALOG OF DEVICES

ABOUT COMPANY	4-5
PUMPS FOR OIL LUBRICATION	6-7
FILTERS (FOR OIL LUBRICATION)	8-9
FLOW INDICATORS	10-11
ELECTRIC MOTOR MULTILINE PUMPS	12-19
ELECTRIC MOTOR PUMPS	20-22
ELECTRIC MOTOR PUMP FOR CENTRAL SUPPLEMENT	23
ELECTRIC MOTOR PUMP FOR GREASE TRANSFER	24-25
PNEUMATIC PUMP FOR LUBRICATION	26
PNEUMATIC PUMP FOR OIL DRAFT	27
DUAL LINE HAND PUMP	28
HAND PUMP (FOR LUBRICANT TRANSFER)	29
FOOT PUMP (FOR GREASE LUBRICATION)	30
POWER UNIT FOR MULTILINE LUBRICATION	31-33
UNIT FOR DUAL LINE LUBRICATION	34-37
ELECTRIC COMPACT UNIT (FOR SINGLE GREASE LUBRICATION)	38
PNEUMATIC PUMP FOR SINGLE LUBRICATION	39
PNEUMATIC UNIT FOR SINGLE LUBRICATION ON CART	40
ELECTRIC CONTROL UNIT	41
DOSING DISTRIBUTORS	42-45
CHANGE-OVER VALVES	46-52
CONTROL DEVICES	53-55
PRESSURE RELIEF VALVE	56
PRESSURE LINE FILTER (FOR GREASE LUBRICATION SYSTEMS)	57
GUN FOR LUBRICATION	58





- FLUIDOTEHNIC's production program is based on its own development. Thanks to that, all the products are the result of the engineering staff work, as well as the quality and skilled workers in manufacturing and installation. Each serial product during the conquest passes through the phase of prototype development, functional tests and check in real operating conditions. Following step is removal of all possible defects and then, based on that, test series is produced. This is how we achieve high quality of manufactured devices. In case of the individual production, after the functional testing, we deliver the product to the customer.
- Since its foundation FLUIDOTEHNIC Ltd. has been continuously investing both in the expansion of commercial building and the purchase of modern equipment for the production, control and techno-economic support. It is located in the industrial zone of Vrnjacka Banja, on a lot size ~ 2ha. It consists several buildings, connected into a functional whole area of 4000 m2. The whole complex is adjusted to the environment- we are taking good care of health, work safety and environmental protection.





- Market research, device development, technical assistance and personnel training free of charge for all our customers is the main task of this service. Many years of experience in the development tasks of hydraulics, pneumatics and lubrication techniques, as well as the latest computer technology guarantee that our customers will get the optimum technical solution. During the development, every device passes precisely defined procedure, starting from making the design concept, followed by manufacturing and testing prototypes and going into production.
- It consists of several facilities and departments: foundry of non-ferrous metals, mechanical drive, locksmith department, installation and technical control. All operations from the casting to the final machining are performed with the universal and software machines. Control and assembly is 100%. When the assembly is finished, each device is being tested on the test stand and on the basis of the results it gets the appropriate certificates and guarantees. On each call of the user, service teams come in as soon as possible, with spare parts and the necessary tools, regardless of whether the equipment is in warranty or out of warranty period.



POWER UNIT FOR MULTILINE LUBRICATION

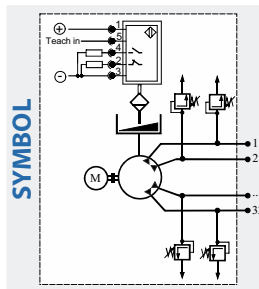


This unit is applied for oil and grease lubrication in multiline centralized systems. Main parts of the unit are multiline pump (1), distributing strip (2) with pressure relief valves (4) and stand (3). The pump has variable flow, it can be adjusted, for each outlet port, separately from minimum to maximum value. It is possible to cut out some of the ports if it is necessary. The number of the ports (from 1 to 15) should be specified in order. Pressure relief valves of each port are adjusted separately from 50 to 300 bar. In case of clogging of some lubrication point, the pressure relief valve is opened so the lubricant leaks out. This function protects the pump and also

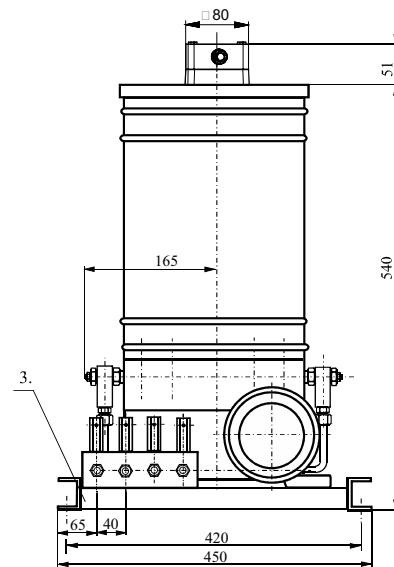
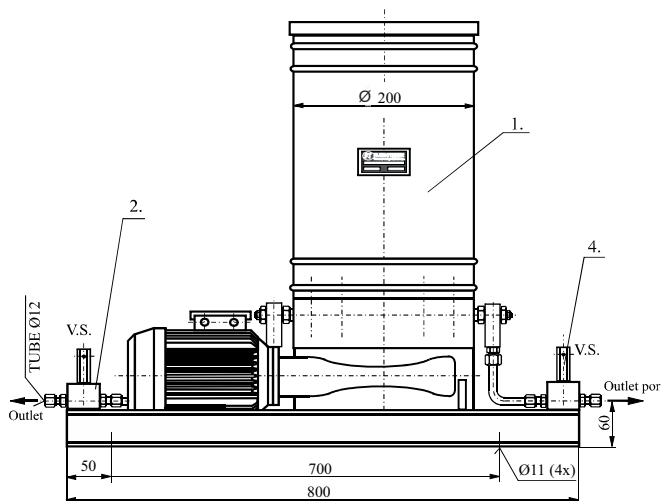
indicates the improper function of the system. The outlet ports can be arranged on the both side of unit. Maximum number of ports on one side is 9. In ordering code the ports on the opposite side of electric motor should be specified at first. Pump with lubricant level indication have "AU" in code. Ultrasonic level indicator indicate 3 lubricant level in the tank, with the range according to customer requirements. The required flow should be specially emphasized.

Ordering example of the power unit 13 outlet ports (8 on one side and 5 on another side) and minimal level indicator:

10-2800AU/8-5



Ordering code	10 - 2800/no. outlet ports	
Fluid	Oil viscosity	>13 mm ² /s
	Grease	NLGI ≤3
	Temperature	-25 ; + 80 °C
Working pressure	max. 300 bar	
Flow per piston stroke	0,03 - 0,16 cm ³	
Flow per outlet port (point out when ordering)	0,35-1,4 ; 0,5-2,2 ; 0,85-3,4 cm ³ /min	
Connecting ports	SRPS M.B6.702 L12 M	
Number of outlet ports	1 - 16	
Electric motor	0,25kW 3x400V 980 rpm (0,37kW 3x400V 1360 rpm)	
Tank volume	10 dm ³	
Gear box ratio	70 : 1 ; 112 : 1	
Ultrasonic level indicator AU	Voltage	10 to 30V
	Current	200 mA
	Type	2xPNP NO/NC
Mass	~54 kg	



POWER UNIT FOR MULTILINE LUBRICATION (WITH HEATER IN SAFETY BOX)



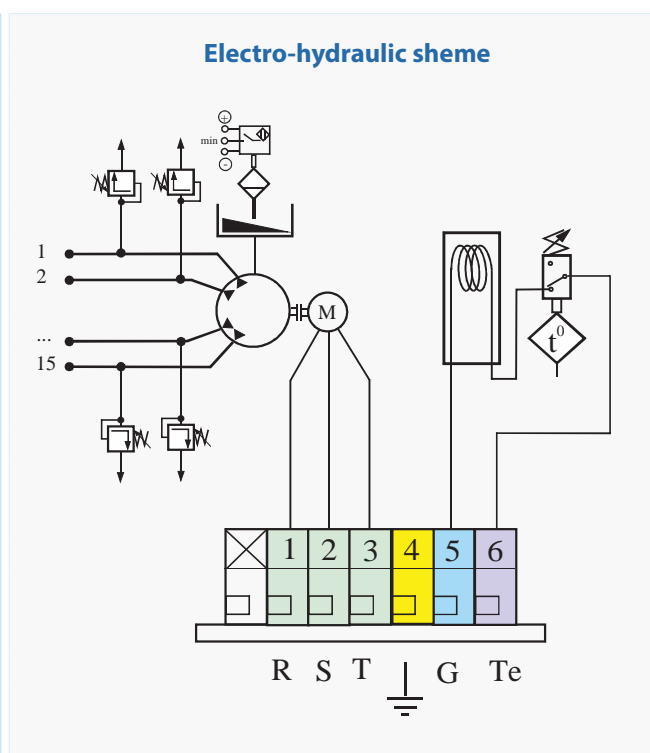
This unit is applied for oil and grease lubrication in multiline centralized systems. It is suitable for low temperature and dusty ambient. Main part of the unit is multiline pump fixed on the unit base. The pump is protected by thermal insulated jacket with cover. Hinges on the cover enable the right and left side assembling. The heater cable wound around the lubrication tank heats the lubricant and interior of the box. Temperature in the box is controlled by the thermostat. The pump has variable flow, it can be adjusted, for each outlet port, separately from minimum to maximum value. It is possible to cut out some of the ports if it is necessary. The pump is factory adjusted to the maximum flow rate 0,16 cm³ per piston stroke, i.e. 2,2 cm³ /min per each port. Length "L" is adjusted to 16mm. Releasing the safety nut "K" and turning the screw "V" clockwise (reducing "L" for 1 mm) flow rate decreases for 0,03 cm³ per piston stroke, i.e. 0,4cm³ /min. L=10mm results in minimum flow rate. L=9mm cuts out the flow completely. After adjusting tight the safety nut "K" again.

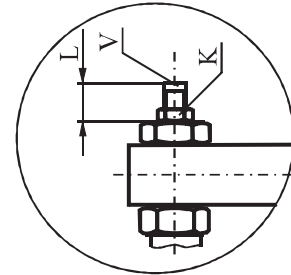
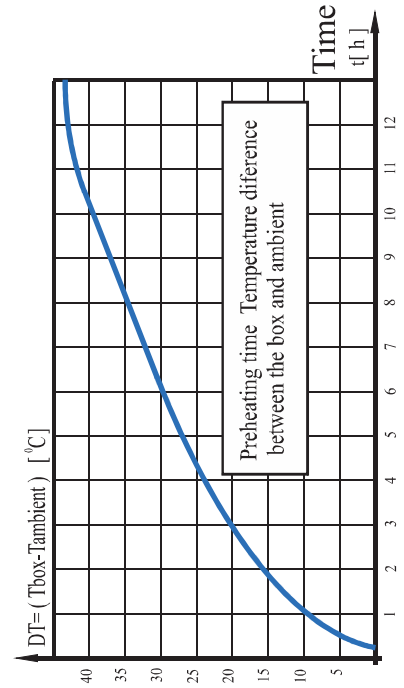
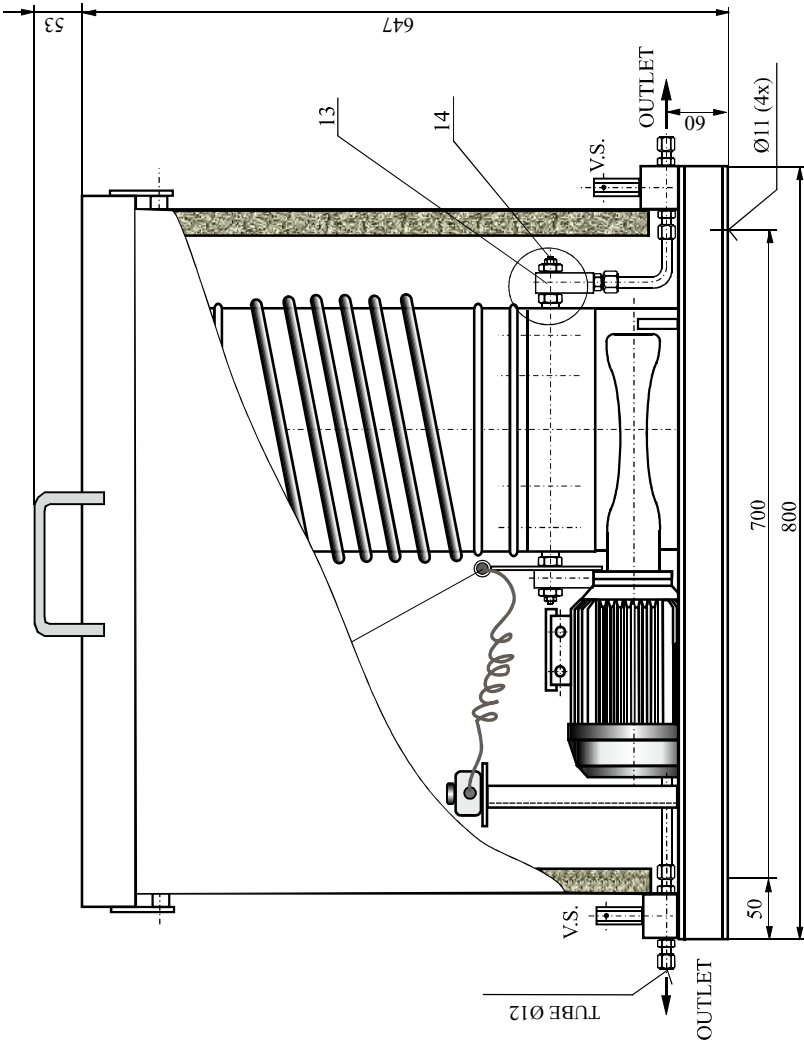
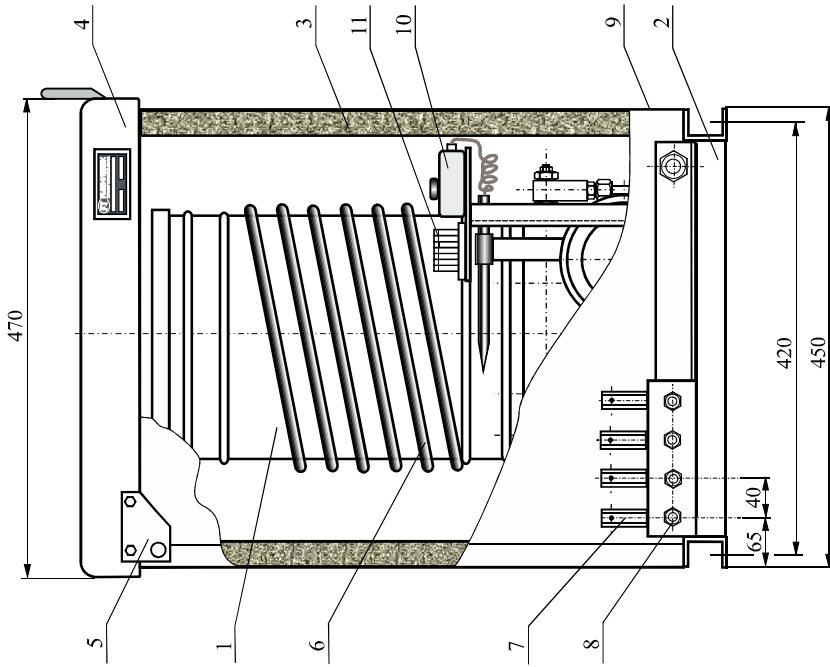
NOTE: On customer request we install, in the power unit, the pumps other flow characteristics.

The number of the ports (from 1 to 15) should be specified in order. Pressure relief valves of each port are adjusted separately from 50 to 300bar. In case of clogging of some lubrication point, the pressure relief valve is opened so the lubricant leaks out. This function protects the pump and also indicates the improper function of the system. The outlet ports can be arranged on the both side of unit. Maximum number of ports on one side is 9. In ordering code the ports on the opposite side of electric motor should be specified at first. For the option with indication of minimum quantity of the lubricant, add "AU".

ORDERING EXAMPLE: The unit with 14 outlet ports (8 on one side and 6 on other side) and indication of minimum quantity of lubricant: [10-2900 AU/8-6](#)

Ordering code		10 - 2900/no. outlet ports	
Fluid	Oil viscosity	>13 mm ² /s	
	Grease	summer	NLGI ≤3
		winter	NLGI ≤1
Temperature	-20 ; + 80 °C		
Working pressure		max. 300 bar	
Operating pressure		200 bar	
Flow per piston stroke		0,03 - 0,16 cm ³	
Flow per outlet port		0,4 - 2,2 cm ³ /min	
Connecting ports		SRPS M.B6.702 L12 M	
Number of outlet ports		1-15	
Electric motor		0,25kW 3x400V 980 rpm	
Tank volume		10 dm ³	
Gear box ratio		70:1	
Heater		141W 400V 50Hz	
Thermostat		-30 ; + 30 °C	
Ultrasonic level indicator AU	Voltage	10 to 30V	
	Current	200 mA	
	Type	2xPNP NO/NC	
Mass		~116 kg	





DETAIL - HEAD OF THE PUMP

1	MULTILINE PUMP
2	BASE OF UNIT
3	UNIT JACKET
4	UNIT COVER
5	COVER HINGE
6	HEATER
7	PRESSURE RELIEF VALVE
8	FITTING SRPS M.B1.702 LI2M
9	CABLE GLAND PG 21
10	THERMOSTAT
11	V5 TERMINAL
12	THERMOSTAT PAN
13	HEAD PUMP
14	SCREW FOR ADJUSTING FLOW



SERBIA
36210 VRNJACKA BANJA
Rudjinci 175/A
tel/fax: +381-36-631-710
E-mail: office@fluidotehnic.com
Web: www.fluidotehnic.com

Matični broj: 06568939
Šifra delatnosti: 2822
PIB: 100918689
Reg. broj: 11506568939
Br. Reg. Upisa: 1-14429-00



EC DECLARATION OF CONFORMITY / DECLARATION ON INSTALLATION

DEKLARACIJA O USAGLAŠENOSTI / DEKLARACIJA O UGRADNJI

We hereby declare that the following products

Izjavljujemo da su sledeći uređaji

Electric driven pumps for grase lubrication (Elektromotorne pumpe za podmazivanje mastima)

Power unit for oil lubrication (Elektromotorni uređaj za podmazivanje uljima)

Pneumatic pumps for lubrication (Pneumatske pumpe za podmazivanje mastima)

Two line dosing distributors (Dvolinijski dozatori)

Progressive doser distributors (Progresivni dozatori)

Change-over valves (Hidraulički razvodnici)

Electric driven change-over valves (Elektromotorni razvodnici)

Pressure and flow valves (Ventili pritiska i protoka)

Are designed and produced in accordance with the safety requirements according to the following regulations:

Projektovani i proizvedeni u skladu sa bezbednosnim zahtevima prema sledećim propisima:

Machinery Directive EC/2006/42
(Mašinska direktiva EC/2006/42)

Low voltage directive EC/2014/35
(Niskonaponska direktiva EC/2014/35)

in accordance with the following standards:

i u skladu sa sledećim standardima:

Safety of machinery - General principles for design

- **Risk assessment and risk reduction EN ISO 12100:2010**

Bezbednost mašina - Opšti principi za projektovanje

- Ocena rizika i smanjenje rizika SRPS ISO 12100:2014

Safety of machinery - Electrical equipment of machines - Part 1: EN 60204-1:2016

Bezbednost mašina - Električna oprema mašina - Deo 1: EN 60204-1:2016

Declaration on installation in the sense of EC Machinery Directive (2006/42/EC) Annex II B

Izjava o ugradnji u skladu sa EC Mašinskom direktivom (2006/42/EC) Anex II B

Product of "FLUIDOTEHNIC" assemble into mechanical devices and equipment. Start-up is not admissible unless it has been verified that the whole equipment, meets the requirements defined in the EC machinery Directive (2006/42/EC)

Proizvod "FLUIDOTEHNIC"-a se ugrađuje u drugu opremu i dodatne uređaje. Pokretanje nije dozvoljeno sve dok i relevantna oprema u koju se ugrađuju ne bude u skladu sa Mašinskom direktivom (2006/42/EC)

The manufacturer undertakes to supply the relevant information of incomplete machine on request to responsible inspector by electronic way. Technical documents of the machine is prepared in accordance with Annex VII, part B Machinery Directive (2006/42/EC)

Proizvođač se obavezuje da će elektronskim putem dostaviti odgovarajuće podatke o delimično završenoj mašini nadležnom inspektor u njegov zahtev. Tehnička dokumentacija je izrađena u skladu sa Anexom 7, deo B Mašinske direktive.

Vrnjačka Banja, 01/02/2017 godine



Šljivić Miroslav, General Manager

The EC Declaration of Conformity is only valid in conjunction with confirmation that the device has been correctly applied, installed, inspected and maintained according to the operating instructions provided. The validity of the declaration will cease in case of any modification and/or supplement not previously approved by "FLUIDOTEHNIC".

Ova deklaracija o usaglašenosti važi samo u slučaju da je uređaj pravilno ugrađen, iskontrolisan i da se koristi i održava u skladu sa uputstvom za rukovanje i održavanje. Važenje izjave prestaje u slučaju bilo kakve modifikacije ili dodatka koji nisu prethodno odobreni od "FLUIDOTEHNIC"-a.



Fluidotehnic d.o.o.

Serbia

36210 Vrnjacka Banja

Rudjinci 175/A

Tel: +381-(0)36-631-710

+381-(0)36-631-711

Fax: +381-(0)36-631-712

www.fluidotehnic.com

office@fluidotehnic.com

© Fluidotehnic doo

02/2018