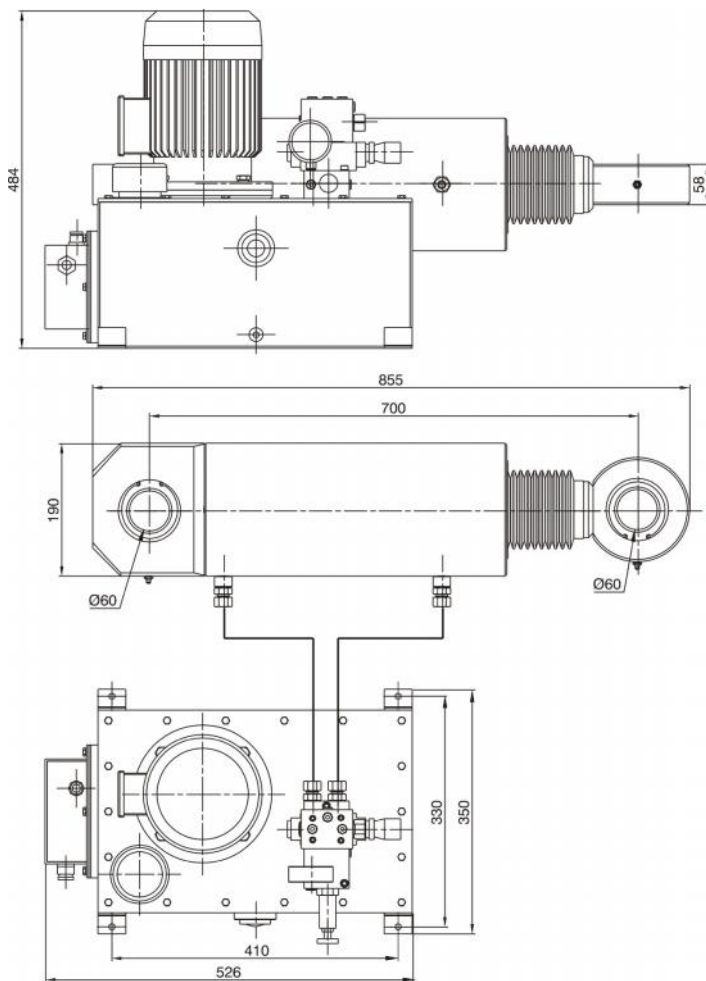
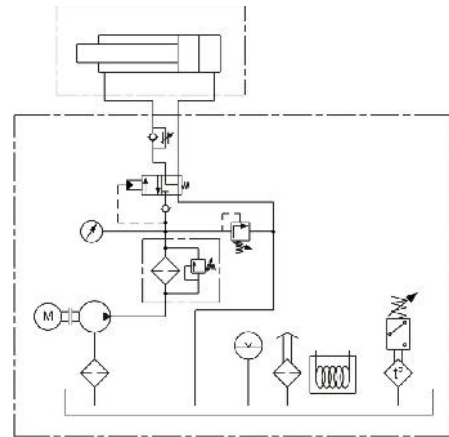


15 20%

-15 °C.



| | |
|---|-------------------------|
| | 15T/220 |
| | . 160 |
| | 220 |
| | 6,06 / |
| | 6,0 3/ |
| | . 100 |
| | Shell Tellus* Arctic 32 |
| | 20 3 |
| | 1,5 ; 400 ; 50 |
| | 220 ; 500 |
| | 0 do +40°C |
| * | -40 do +50°C |
| | 136 |
| * | -15°C |