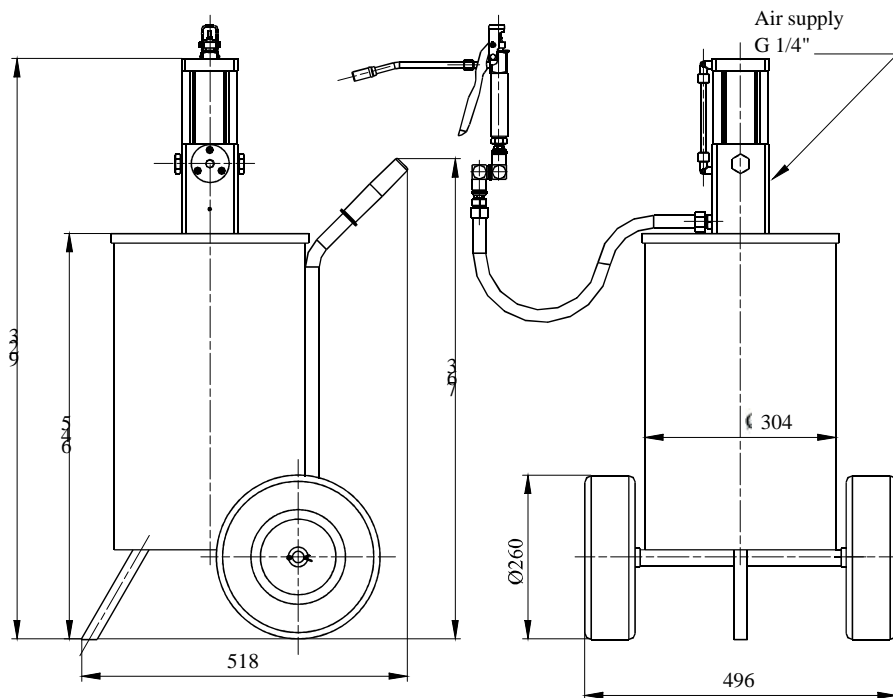


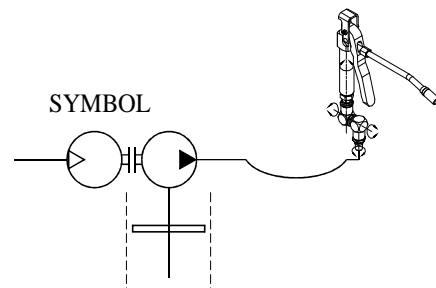
PNEUMATIC POWER UNIT FOR SINGLE LUBRICATION ON CART



Pneumatic power unit for lubrication on cart is applied for single lubrication in service work-shops as well as in outdoor, where the supply of pressurized air is available. It is suitable for operation in very hard working conditions (excavators for surface exploitation, iron plants, cement works). This piston pump is designed to be directly mounted to a movable lubricant tank of 30 dm³. The pump is easy to move as it is equipped with air-filled wheels. It's equipped with high pressure flexible hose length of 5m and lubrication gun with swivel fitting which allows turning gun on three axis and easy handling, regardless of rigidity hoses under high pressure. For uniform work of the pump pressurized air must be clean and lubricated. Only in this case is recognized warranty on the device. The option with set for air purification is also available, in type add. "P" (code 10-5150 P).



Ordering code	10-5150	10-5200
Fluid	Oil viscosity	>13 mm ² /s
	Grease	NLGI <3
	Temperature	-10 ; +60 °C
Air pressure	max. 6 bar	
Lubricant pressure	400 bar	150 bar
Flow/cycle	5,5 cm ³	14 cm ³
Cycle per minute	120	
Tank volume	30 dm ³	
Mass	28 kg	



SERBIA
 36210 VRNJACKA BANJA
 Rudjinci 175/A
 tel/fax: +381 - 36 - 631 - 710
 631 - 711
 E-mail: office@fluidotehnic.com