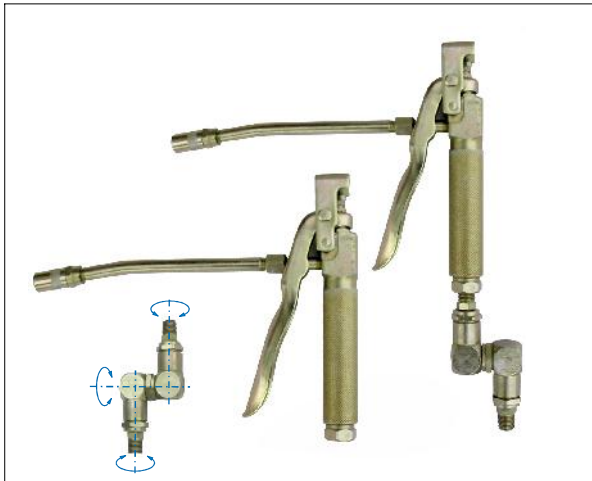
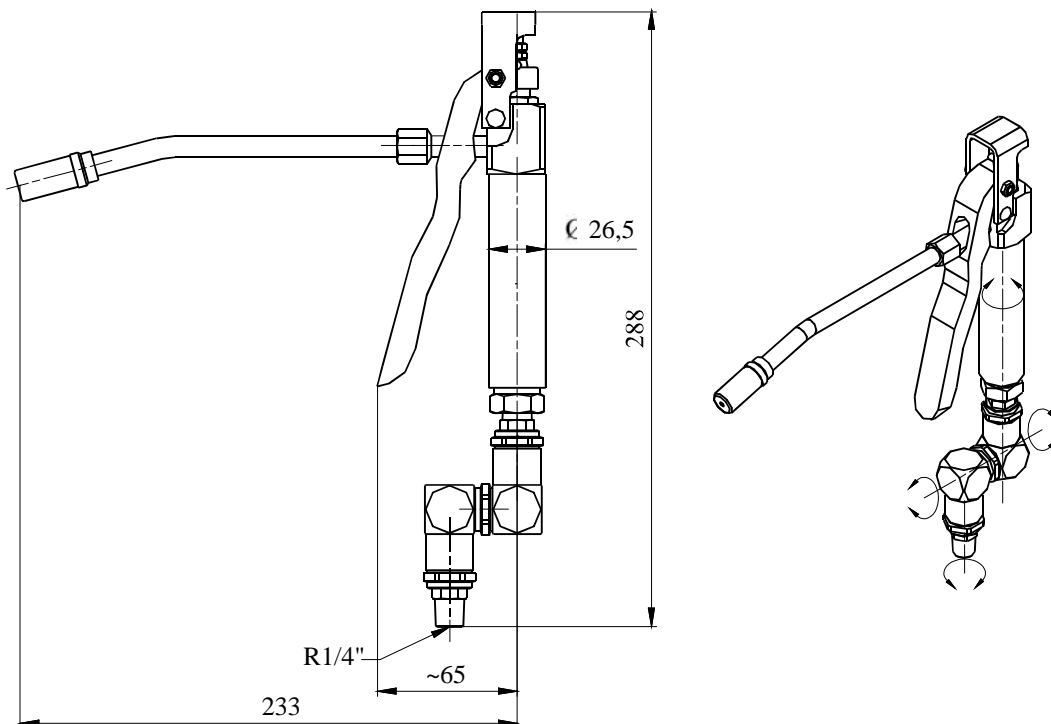


## GUN FOR LUBRICATION



Lubrication gun is applied for single lubrication in industrial plants and service workshops. It is connected with electric or pneumatic driven power unit by high-pressure hose. It is capable for operating in very hard conditions. Delivery can be with or without swivel joint. The swivel joint enable gun easily rotating around three axes. This makes the handling of the gun very comfortably despite of the rigidity of the high pressure hose. The hose of 350mm length is included in delivery set.



Gun hand set		Gun set	Gun	Swivel joint
Ordering code		11-1500	11-1510	11-1520
Fluid	Grease NLGI	$\leq 3$		
	Temperature	-30 ; +80 °C		
Max operating pressure		500 bar		
Connecting ports		R1/4" kon.	G1/4"	R1/4" kon.
Mass		1,3 kg	1,0 kg	0,3 kg