

# FOOT OPERATED PUMP (FOR GREASE LUBRICATION)



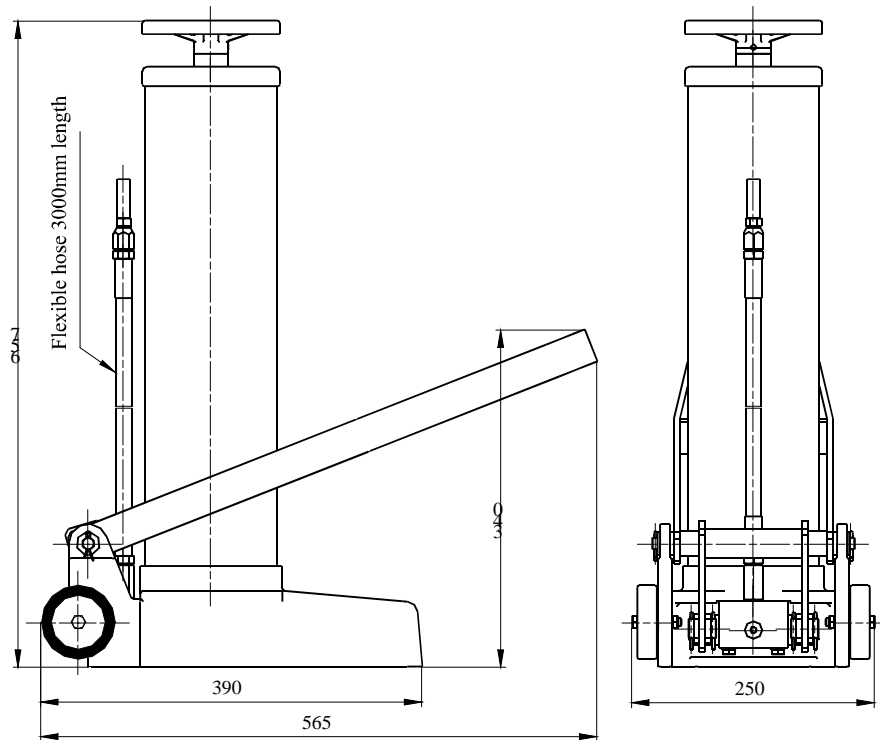
The foot operated pump 10-3000 is applied for single lubrication in case of high flow resistance in lubrication line. The pump is wheeled for easier removal to another place.

The flexible high pressure hose of 3m length is included in complet.

Robust design, proper chose of material and high precision of manufacture, make this pump suitable for long time operation in very hard working conditions (excavators for surface exploitation, iron plants, cement works, sevice work-shops).

Accessories included in complet:

- american head
- peoneer head small
- peoneer head-big



Ordering code	10-3000
Lubricant	Grease NLGI <3
	Temperature - 10 do +80 <sup>0</sup> C
Flow	3,1 cm <sup>3</sup> /cycle
Pressure	450 bar
Force at lever end (pedal) at max. pressure	50 daN
Tank capacity	5 dm <sup>3</sup>
Mass	24 kg

SIMBOL

