

HYDRAULIC CYLINDERS



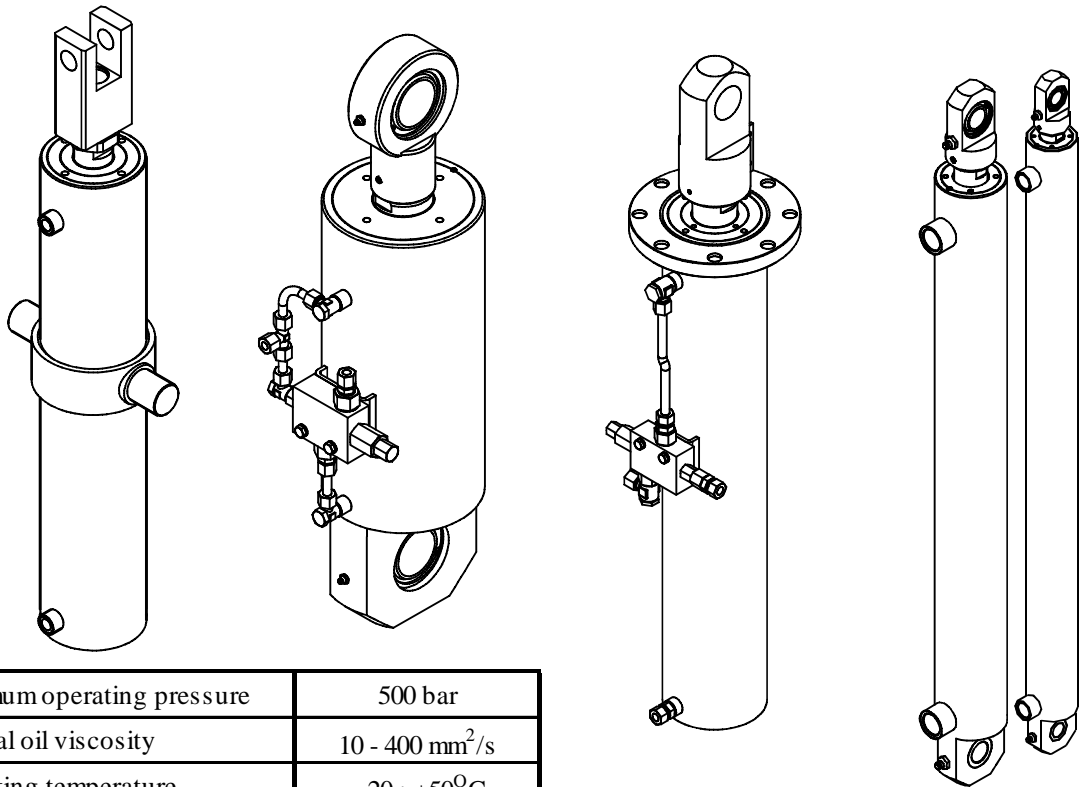
The Fluidotehnic range of hydraulic cylinders meets the most advanced requirements for operation in very hard working conditions such as in surface exploitation plants, mines, iron plants, cokery plants, foundries, cement works and construction machinery.

Different construction options are available such as single and double acting cylinders, with or without stroke-end cushioning, and plungers.

Hydraulic cylinders by Fluidotehnic are of reliable technical solution, high precisely treatment of the parts, high quality heat treatment and surface processing.

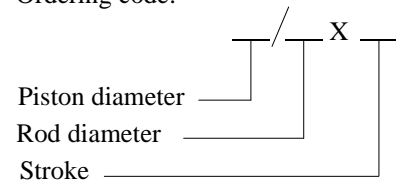
The cylinder rods are made of hardened and tempered carbon steel, one or multi layer chromed, depends of application and customer request.

Proper and high quality seals provide low friction and long time exploitation.



Maximum operating pressure	500 bar
Mineral oil viscosity	10 - 400 mm ² /s
Operating temperature	- 20 ; +50°C
Piston diameter	25 - 250 mm
Stroke	up to 2 000 mm
Speed	max 0,5 m/s
Load direction	Along cylinder axis
Assembling position	Any position

Ordering code:



SERBIA

36210 VRNJACKA BANJA

Rudjinci 175/A

tel/fax: +381 - 36 - 631 - 710
631 - 711

E-mail: office@fluidotehnic.com