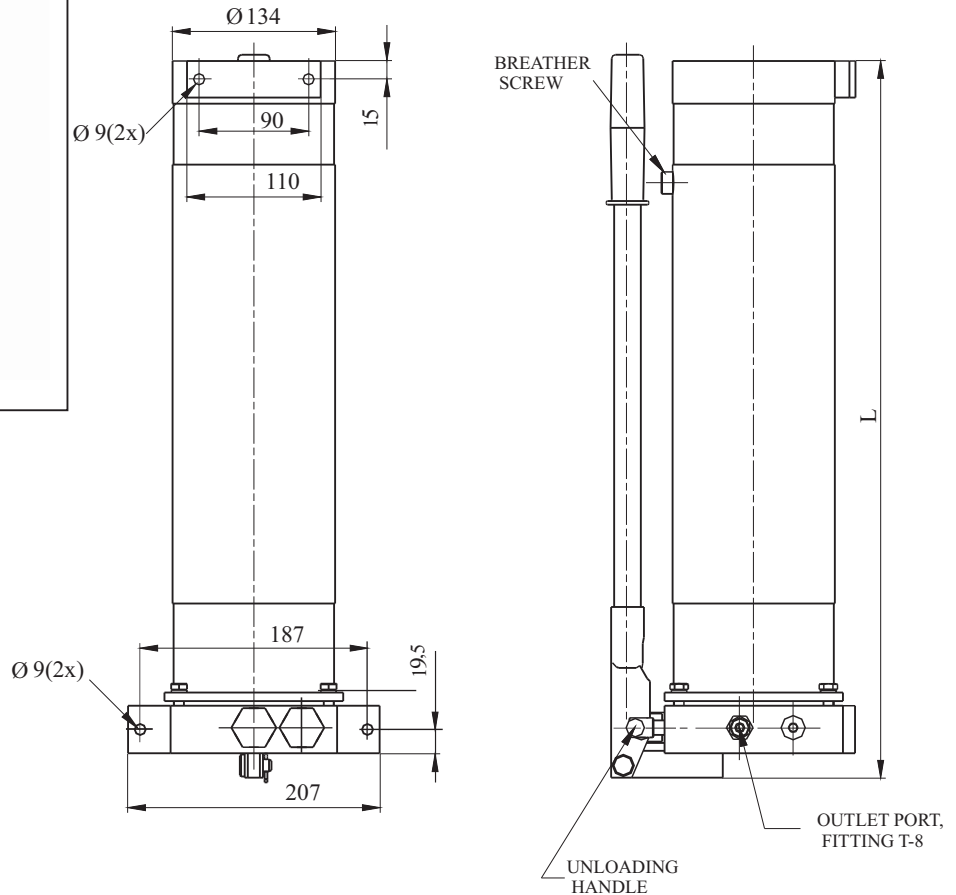


SINGLE ACTING HAND PUMP

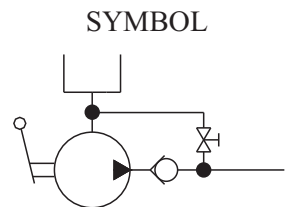


Hand pump operates in combination with single acting cylinder. High-pressure hose of 3 m length is included in delivery. Cylinder has to be ordered separately. Robust design, high precisely part treatment, high quality seals provide long time exploitation of the hand pump.

Delivered pump is filled with oil and ready for use. Before use release the breather screw and retight the unloading handle.



Ordering code	10-8300	10-8300/1
Mineral oil	Viscosity	20 - 400 mm ² /s
	Temperature	-20 ; +80 °C
Adjusted pressure of relief valves	500/105 bar	
Flow	3,4/15 cm ³ /cycle	
Lever force for maximum pressure	60 daN	
Length L	588	388
Tank volume	6 dm ³	3,5 dm ³
Mass	24 kg	21 kg



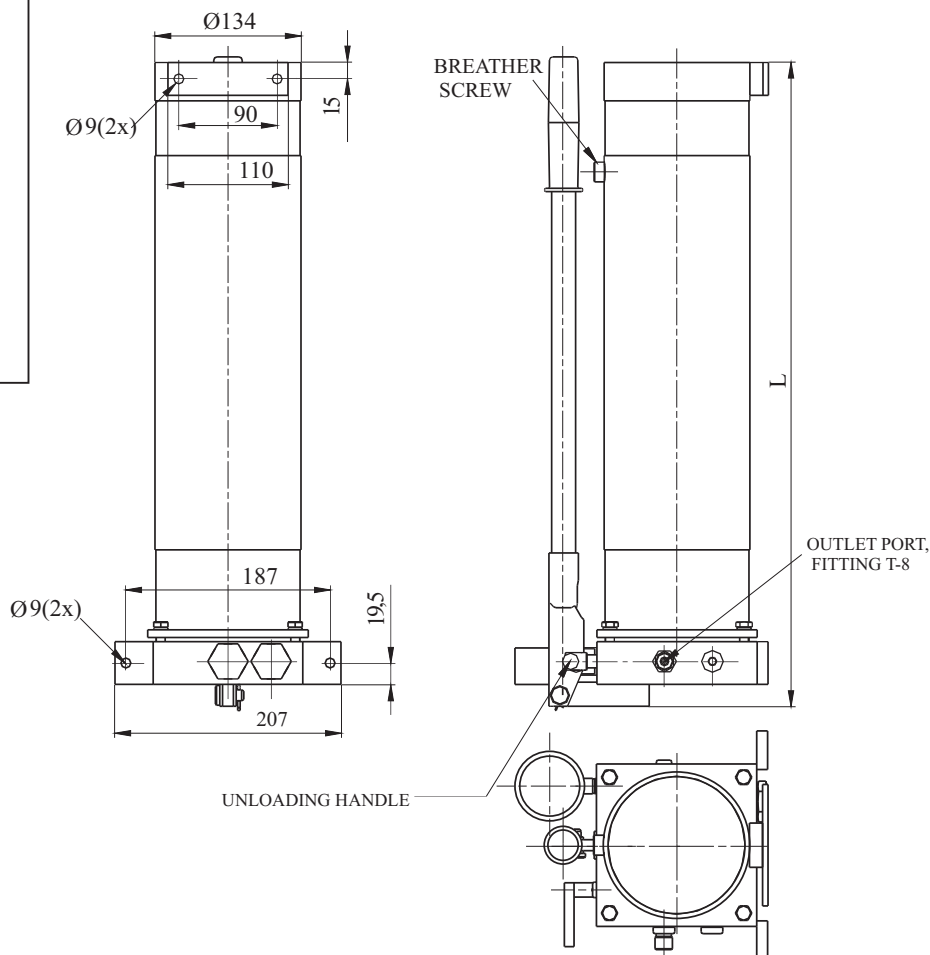
SERBIA
 36210 VRNJACKA BANJA
 Rudjinci 175/A
 tel/fax: +381 - 36 - 631 - 710
 631 - 711
 E-mail: office@fluidotehnic.com

SINGLE ACTING HAND PUMP WITH MANOMETER

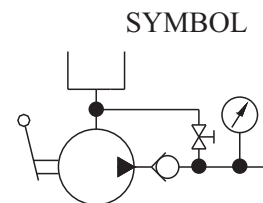


Hand pump operates in combination with single acting cylinder. High-pressure hose of 3 m length is included in delivery. Cylinder has to be ordered separately. Robust design, high precisely part treatment, high quality seals provide long time exploitation of the hand pump.

Delivered pump is filled with oil and ready for use. Before use release the breather screw and retight the unloading handle.



Ordering code	10-8300 M	10-8300/1 M
Mineral oil	Viscosity	20 do 400 mm ² /s
	Temperature	-20 ; +80 °C
Adjusted pressure of relief valves	500/105 bar	
Flow	3,4/15 cm ³ /cycle	
Lever force for maximum pressure	60 daN	
Length L	588	388
Tank volume	6 dm ³	3,5 dm ³
Mass	24 kg	21 kg



SERBIA
 36210 VRNJACKA BANJA
 Rudjinci 175/A
 tel/fax: +381 - 36 - 631 - 710
 631 - 711
 E-mail: office@fluidotehnic.com