

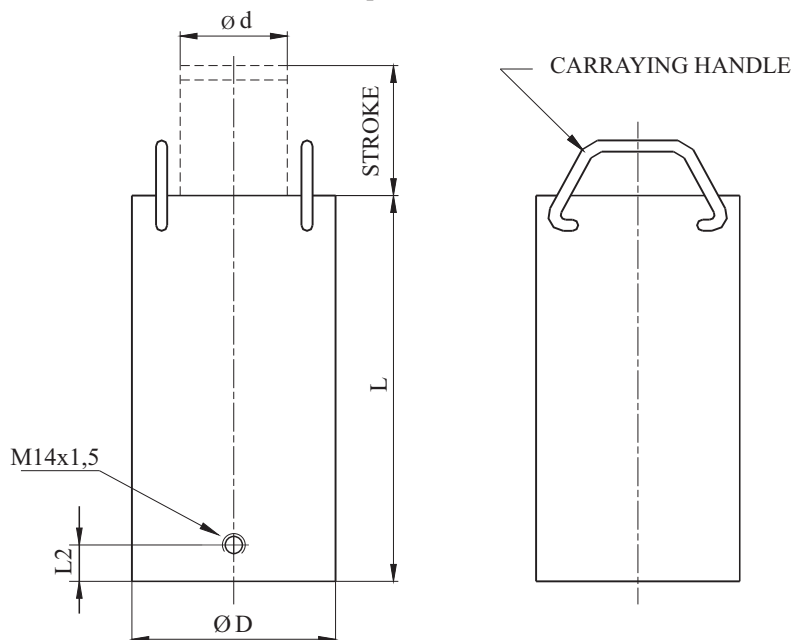
# SINGLE ACTING LIFTING CYLINDER



It is applied for cargo lifting. Robust design, high precisely part treatment, high quality seals provide long time exploitation of the cylinder.

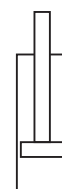
Rejecting movement of the cylinder is achieved by means of the external force (load).

Various values of the load capacity and strokes are available on customer request.



Type	Load capacity	Stroke	D	d	L	L2	Mass
	(daN)						
JC 6/65	6.300	65	60	30	140	30	3,4
JC 10/65	9.800	65	70	40	185	30	5,6
JC 16/65	15.600	65	85	45	197	30	8,7
JC 25/65	25.100	65	110	45	235	40	15,1
JC 25/100	25.100	100	110	50	270	40	17,9
JC 40/65	39.200	65	135	75	245	40	23,6
JC 40/100	39.200	100	135	75	280	40	25,2
JC 60/65	61.300	65	155	85	250	40	37,2
JC 60/150	61.300	150	155	85	335	40	41,3
JC 80/65	76.900	65	165	95	255	40	38,3
JC 80/150	76.900	150	165	95	340	40	39,7
JC 100/65	100.500	65	195	105	255	40	48,5
JC 100/200	100.500	200	195	105	390	40	66,2
JC 160/100	157.000	100	240	145	290	50	86,7
JC 200/100	198.700	100	270	175	300	50	98,8
JC 250/100	245.300	100	300	200	312	50	125

SYMBOL



Fluid	mineral oil	
	viscosity	20 do 400 mm <sup>2</sup> /s
	temperature	-20 do +80 °C
Working pressure max		500 bar
Piston speed		max 0,01 m/s
Load direction		along the cylinder axis



SERBIA

36210 VRNJACKA BANJA

Rudjinci 175/A

tel/fax: +381 - 36 - 631 - 710  
631 - 711

E-mail: office@fluidotehnic.com