

**FT FLUIDOTEHNIC**

# HYDRAULIC DEVICES AND SYSTEMS

CATALOG OF DEVICES





- FLUIDOTEHNIC's production program is based on its own development. Thanks to that, all the products are the result of the engineering staff work, as well as the quality and skilled workers in manufacturing and installation. Each serial product during the conquest passes through the phase of prototype development, functional tests and check in real operating conditions. Following step is removal of all possible defects and then, based on that, test series is produced. This is how we achieve high quality of manufactured devices. In case of the individual production, after the functional testing, we deliver the product to the customer.
- Since its foundation FLUIDOTEHNIC Ltd. has been continuously investing both in the expansion of commercial building and the purchase of modern equipment for the production, control and techno-economic support. It is located in the industrial zone of Vrnjacka Banja, on a lot size ~ 2ha. It consists several buildings, connected into a functional whole area of 4000 m<sup>2</sup>. The whole complex is adjusted to the environment- we are taking good care of health, work safety and environmental protection.

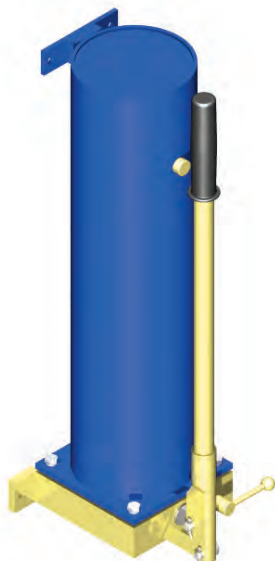




- Market research, device development, technical assistance and personnel training free of charge for all our customers is the main task of this service. Many years of experience in the development tasks of hydraulics, pneumatics and lubrication techniques, as well as the latest computer technology guarantee that our customers will get the optimum technical solution. During the development, every device passes precisely defined procedure, starting from making the design concept, followed by manufacturing and testing prototypes and going into production.
- It consists of several facilities and departments: foundry of non-ferrous metals, mechanical drive, locksmith department, installation and technical control. All operations from the casting to the final machining are performed with the universal and software machines. Control and assembly is 100%. When the assembly is finished, each device is being tested on the test stand and on the basis of the results it gets the appropriate certificates and guarantees. On each call of the user, service teams come in as soon as possible, with spare parts and the necessary tools, regardless of whether the equipment is in warranty or out of warranty period.

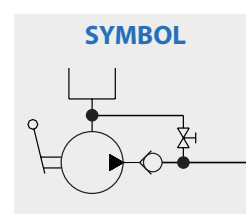
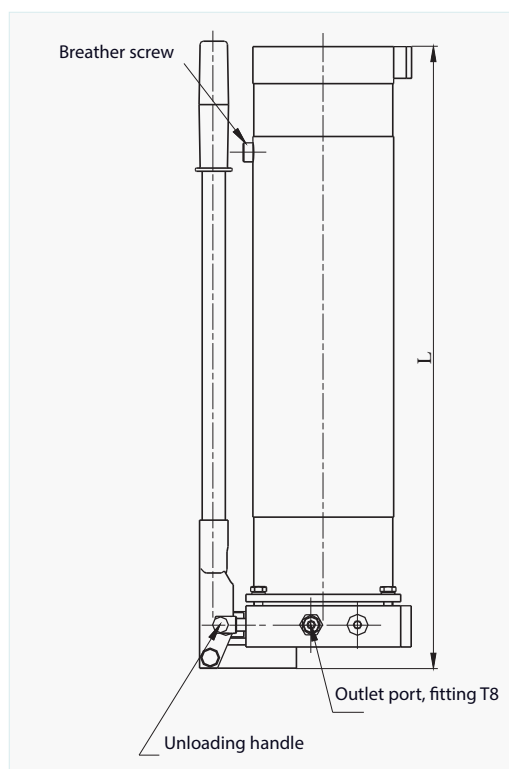
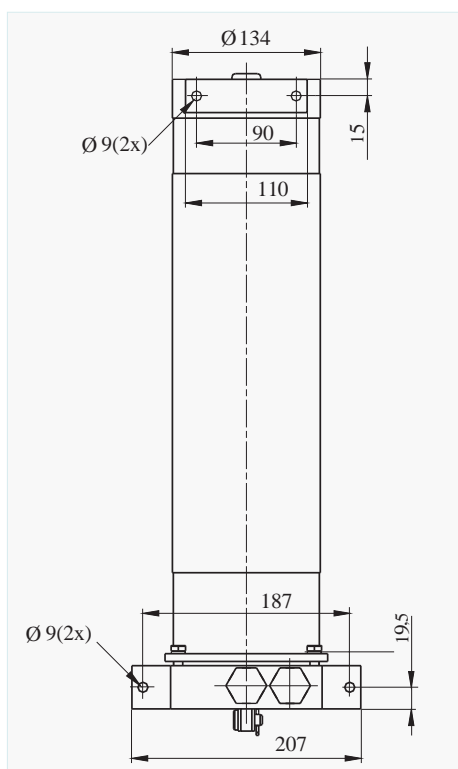


# SINGLE ACTING HAND PUMP



Hand pump operates in combination with single acting cylinder. High-pressure hose of 3m length is included in delivery. Cylinder has to be ordered separately. Robust design, high precisely part treatment, high quality seals provide long time exploitation of the hand pump.

Delivered pump is filled with oil and ready for use. Before use release the breather screw and retight the unloading handle..



Ordering code	10-8300	10-8300/1
Fluid	Mineral oil	
	Viscosity	20 to 400 mm <sup>2</sup> /s
	Temperature	-20 to +80 °C
Adjusted pressure at relief valves	500/105 bar	
Flow	3,4/15 cm <sup>3</sup> /cycle	
Force at lever for maximum pressure	60 daN	
Length L	588	388
Tank volume	6 dm <sup>3</sup>	3,5 dm <sup>3</sup>
Mass	24 kg	21 kg



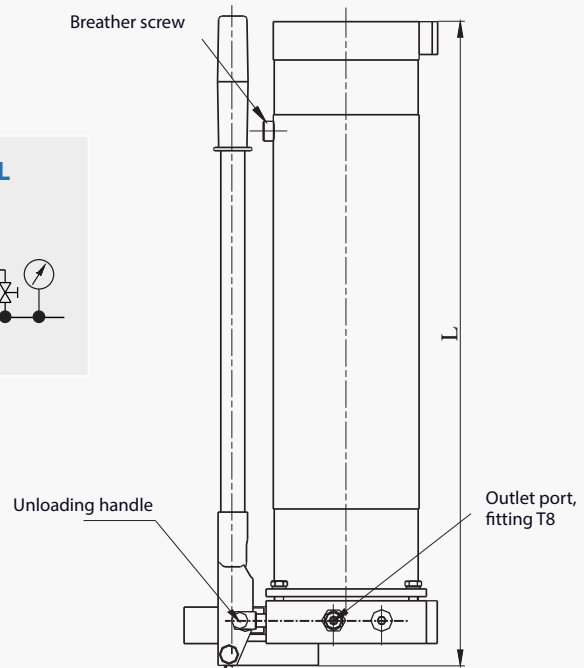
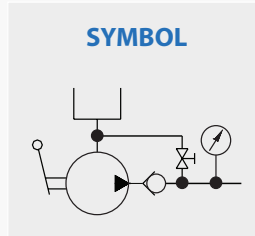
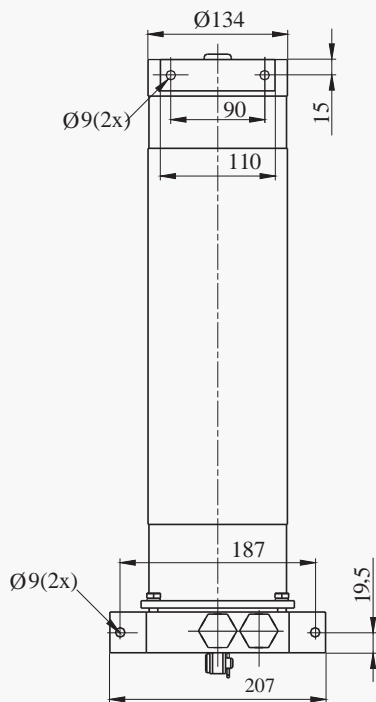
# SINGLE ACTING HAND PUMP WITH PRESSURE GAUGE



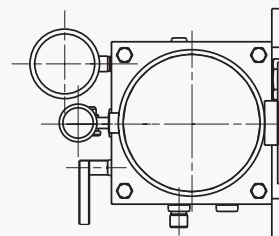
Hand pump operates in combination with single acting cylinder. High-pressure hose of 3m length is included in delivery. Cylinder has to be ordered separately. Robust design, high precisely part treatment, high quality seals provide long time exploitation of the hand pump.

Delivered pump is filled with oil and ready for use. Before use release the breather screw and retight the unloading handle.

Pump is equipped with pressure gauge and table that shows the power in tonners, depending on the diameter of the cylinder and the pressure that pump achieve.



Ordering code		10-8300 M	10-8300/1 M
Fluid	Mineral oil		
	Viscosity	20 to 400 mm <sup>2</sup> /s	
	Temperature	-20 to +80 °C	
Adjusted pressure at relief valves	500/105 bar		
Flow	3,4/15 cm <sup>3</sup> /cycle		
Force at lever for maximum pressure	60 daN		
Length L	588	388	
Tank volume	6 dm <sup>3</sup>	3,5 dm <sup>3</sup>	
Mass	24 kg	21 kg	

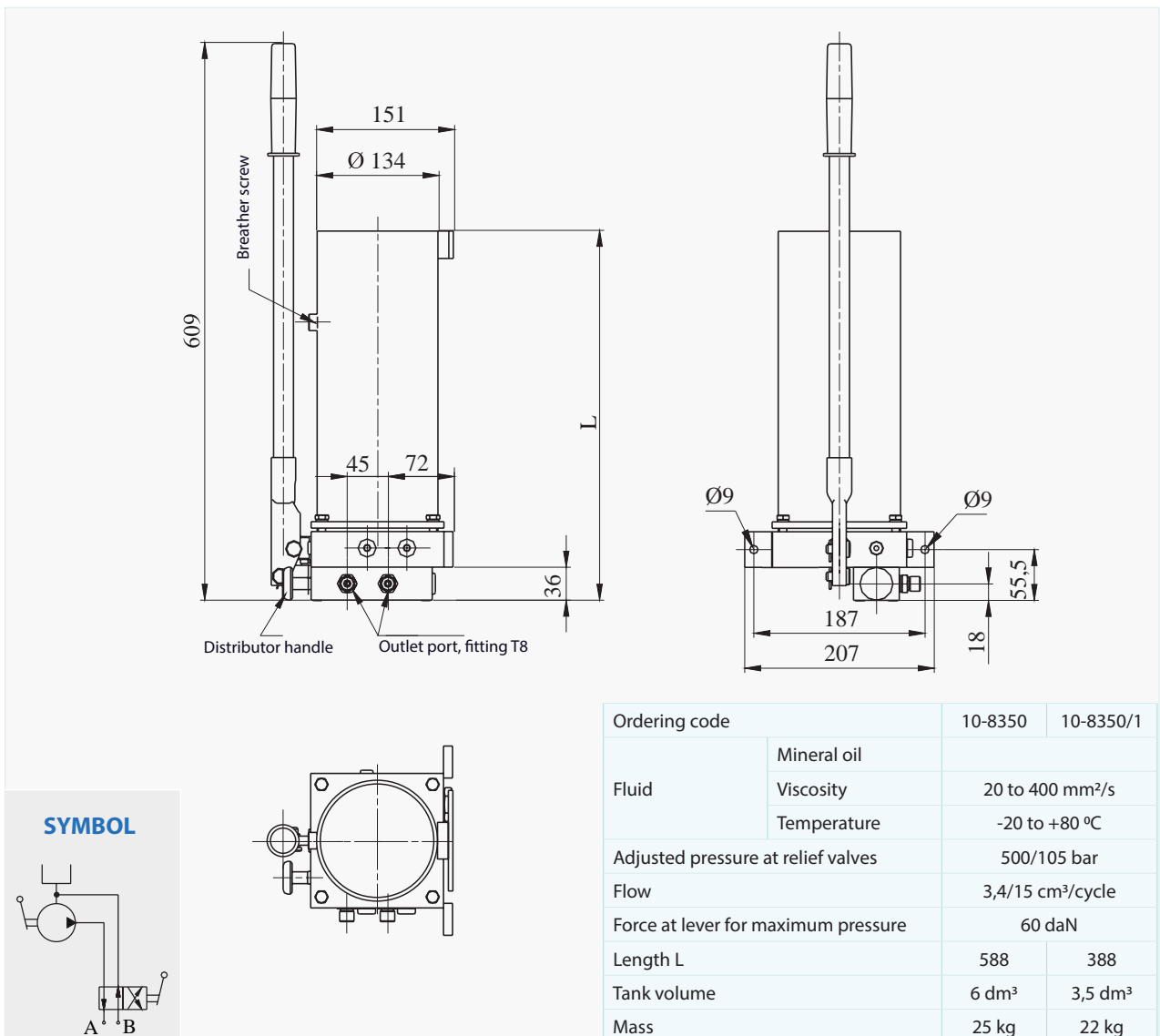


## DOUBLE ACTING HAND PUMP



Hand pump operates in combination with double acting cylinder. High-pressure hose of 3 m length is included in delivery. Cylinder has to be ordered separately. Robust design, high precisely part treatment, high quality seals provide long time exploitation of the hand pump.

Delivered pump is filled with oil and ready for use. Before use release the breather screw and retight the unloading handle.



Ordering code	10-8350	10-8350/1
Fluid	Mineral oil	
	Viscosity	20 to 400 mm <sup>2</sup> /s
	Temperature	-20 to +80 °C
Adjusted pressure at relief valves	500/105 bar	
Flow	3,4/15 cm <sup>3</sup> /cycle	
Force at lever for maximum pressure	60 daN	
Length L	588	388
Tank volume	6 dm <sup>3</sup>	3,5 dm <sup>3</sup>
Mass	25 kg	22 kg

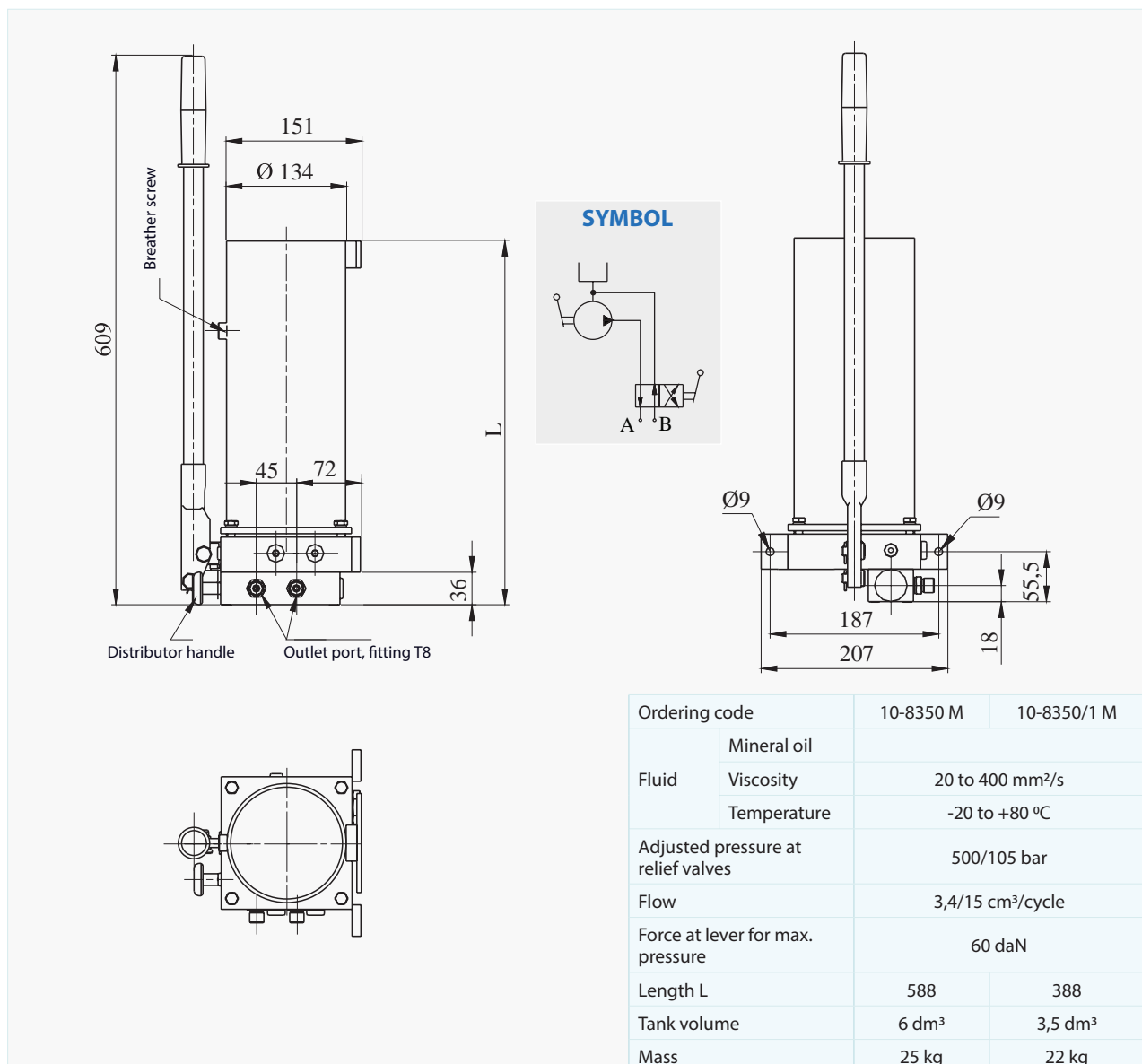
## DOUBLE ACTING HAND PUMP WITH PRESSURE GAUGE



Hand pump operates in combination with double acting cylinder. High-pressure hose of 3 m length is included in delivery. Cylinder has to be ordered separately. Robust design, high precisely part treatment, high quality seals provide long time exploitation of the hand pump.

Delivered pump is filled with oil and ready for use. Before use release the breather screw and retight the unloading handle.

Pump is equipped with pressure gauge and table that shows the power in tonners, depending on the diameter of the cylinder and the pressure that pump achieve.





SERBIA  
36210 VRNJACKA BANJA  
Rudjinci 175/A  
tel/fax: +381-36-631-710  
E-mail: office@fluidotehnic.com  
Web: www.fluidotehnic.com

Matični broj: 06568939  
Šifra delatnosti: 2822  
PIB: 100918689  
Reg. broj: 11506568939  
Br. Reg. Upisa: 1-14429-00



## EC DECLARATION OF CONFORMITY / DECLARATION ON INSTALLATION

DEKLARACIJA O USAGLAŠENOSTI / DEKLARACIJA O UGRADNJI

**We hereby declare that the following products**

Izjavljujemo da su sledeći uređaji

**Hydraulic cylinders** (Hidraulički cilindri)  
**Hand pumps** (Ručne pumpe)  
**Actuators** (Aktuatori)  
**Hydraulic presses** (Hidraulične prese)  
**Change-over valves** (Hidraulički razvodnici)  
**Electric driven change-over valve** (Elektromotorni razvodnici)  
**Pressure and flow valves** (Ventili pritiska i protoka)

**Are designed and produced in accordance with the safety requirements according to the following regulations:**

Projektovani i proizvedeni u skladu sa bezbednosnim zahtevima prema sledećim propisima:

**Machinery Directive EC/2006/42**  
(Mašinska direktiva EC/2006/42)

**Low voltage directive EC/2014/35**  
(Niskonaponska direktiva EC/2014/35)

**in accordance with the following standards:**  
i u skladu sa sledećim standardima:

**Safety of machinery - General principles for design**

- **Risk assessment and risk reduction EN ISO 12100:2010**  
Bezbednost mašina - Opšti principi za projektovanje  
- Ocena rizika i smanjenje rizika SRPS ISO 12100:2014

**Safety of machinery - Electrical equipment of machines - Part 1: EN 60204-1:2016**  
Bezbednost mašina - Električna oprema mašina - Deo 1: EN 60204-1:2016

**Declaration on installation in the sense of EC Machinery Directive (2006/42/EC) Annex II B**

Izjava o ugradnji u skladu sa EC Mašinskom direktivom (2006/42/EC) Anex II B

**Product of "FLUIDOTEHNIC" assemble into mechanical devices and equipment. Start-up is not admissible unless it has been verified that the whole equipment, meets the requirements defined in the EC machinery Directive (2006/42/EC)**

Proizvod "FLUIDOTEHNIC"-a se ugrađuje u drugu opremu i dodatne uređaje. Pokretanje nije dozvoljeno sve dok i relevantna oprema u koju se ugrađuju ne bude u skladu sa Mašinskom direktivom (2006/42/EC)

**The manufacturer undertakes to supply the relevant information of incomplete machine on request to responsible inspector by electronic way. Technical documents of the machine is prepared in accordance with Annex VII, part B Machinery Directive (2006/42/EC)**

Proizvođač se obavezuje da će elektronskim putem dostaviti odgovarajuće podatke o delimično završenoj mašini nadležnom inspektoru na njegov zahtev. Tehnička dokumentacija je izrađena u skladu sa Anexom 7, deo B Mašinske direktive.

Vrnjačka Banja, 01/02/2017 godine



Šjivić Miroslav, General Manager

The EC Declaration of Conformity is only valid in conjunction with confirmation that the device has been correctly applied, installed, inspected and maintained according to the operating instructions provided. The validity of the declaration will cease in case of any modification and/or supplement not previously approved by "FLUIDOTEHNIC".

Ova deklaracija o usaglašenosti važi samo u slučaju da je uređaj pravilno ugrađen, iskontrolisan i da se koristi i održava u skladu sa uputstvom za rukovanje i održavanje. Važenje izjave prestaje u slučaju bilo kakve modifikacije ili dodatka koji nisu prethodno odobreni od "FLUIDOTEHNIC"-a.





Fluidotehnic d.o.o.  
Serbia  
36210 Vrnjacka Banja  
Rudjinci 175/A  
Tel: +381-(0)36-631-710  
+381-(0)36-631-711  
Fax: +381-(0)36-631-712  
[www.fluidotehnic.com](http://www.fluidotehnic.com)  
[office@fluidotehnic.com](mailto:office@fluidotehnic.com)